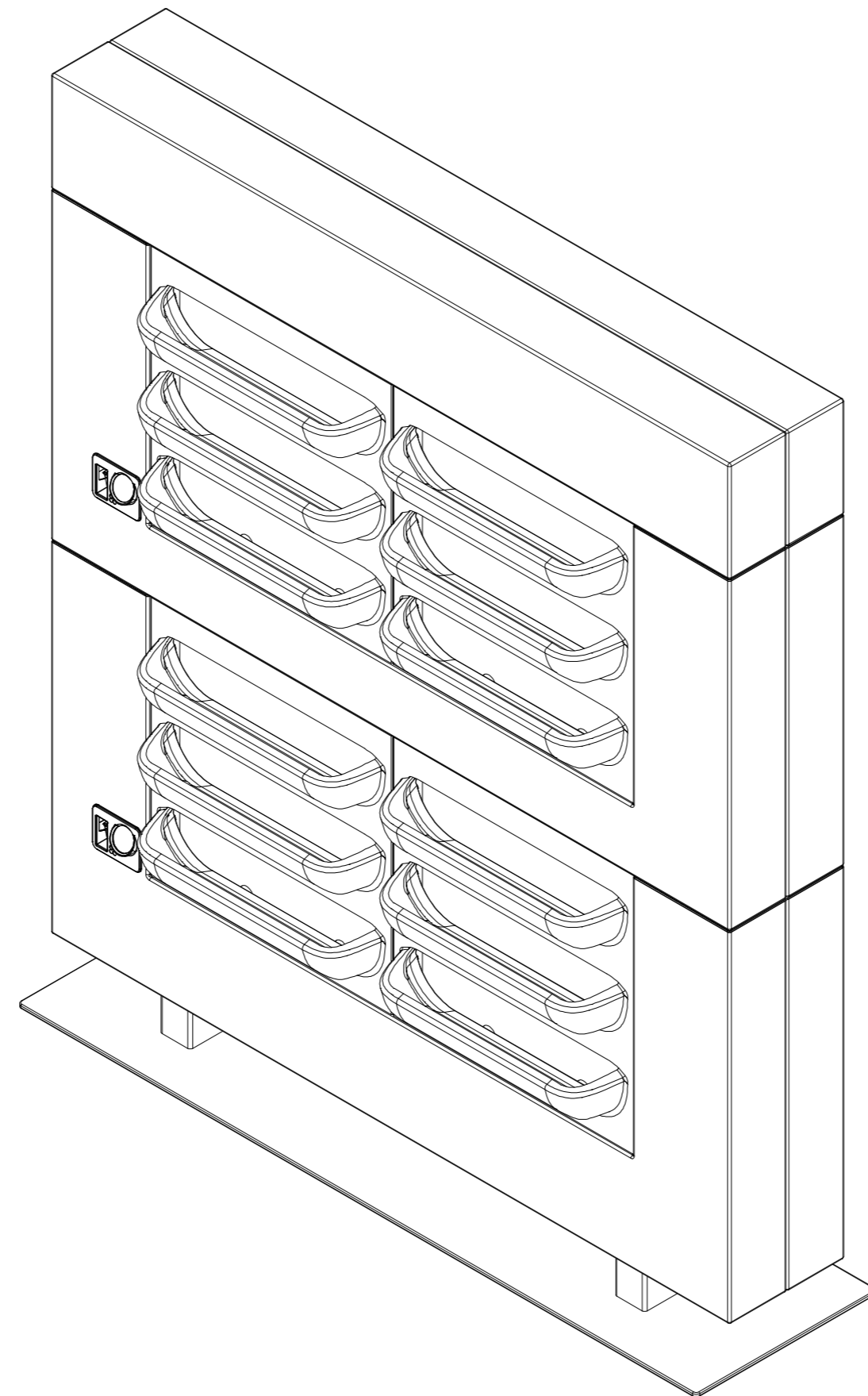
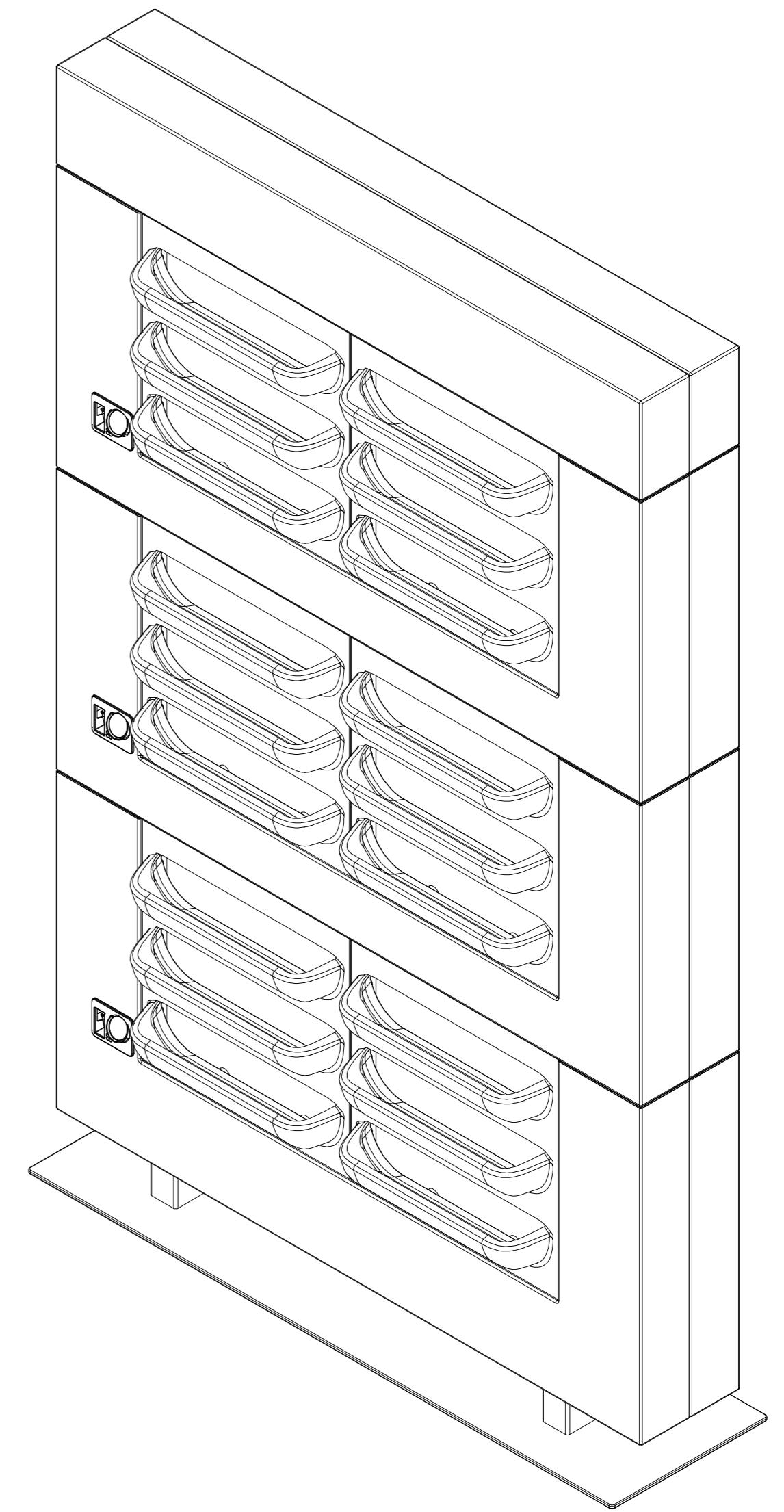


Option 1

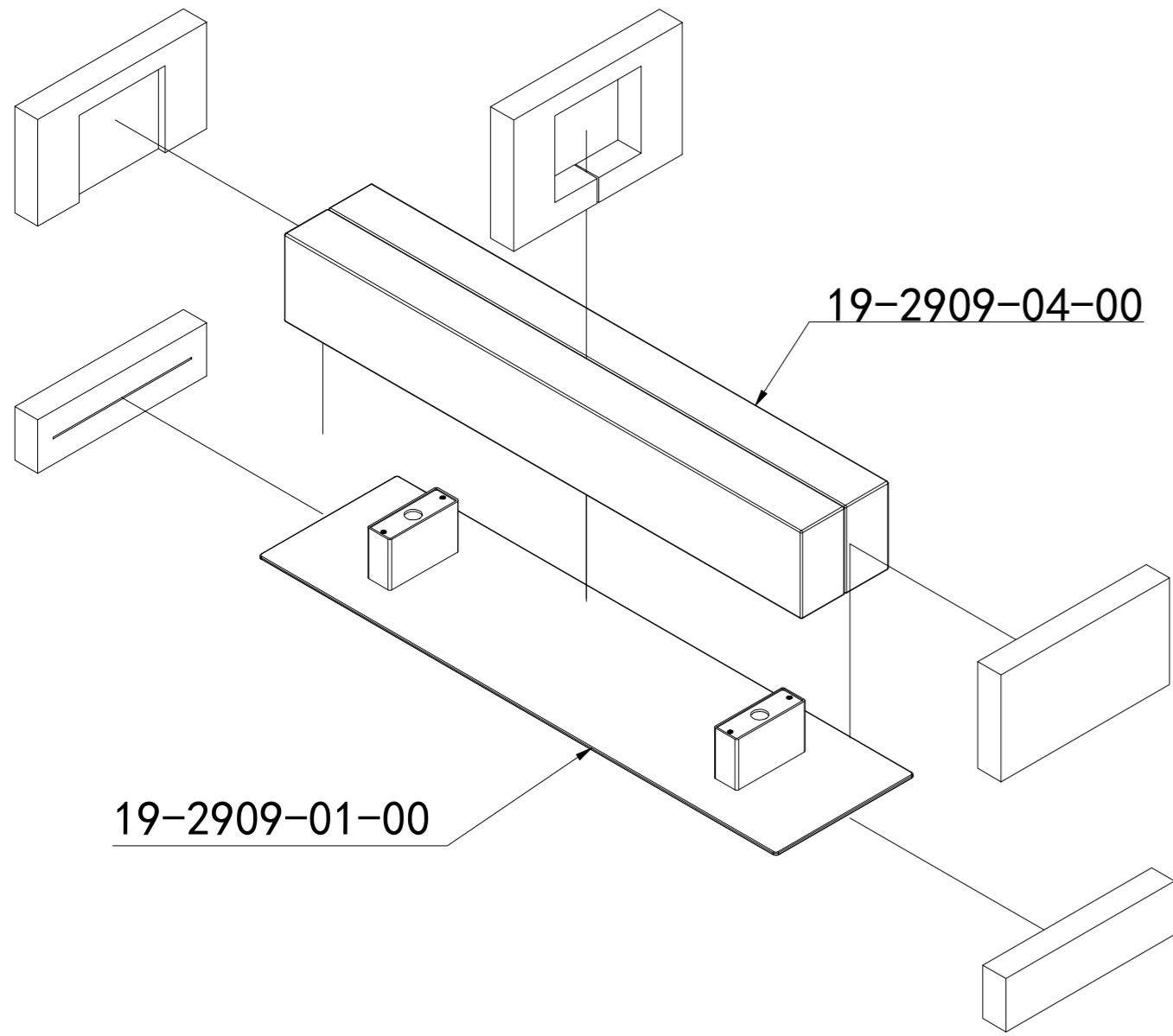
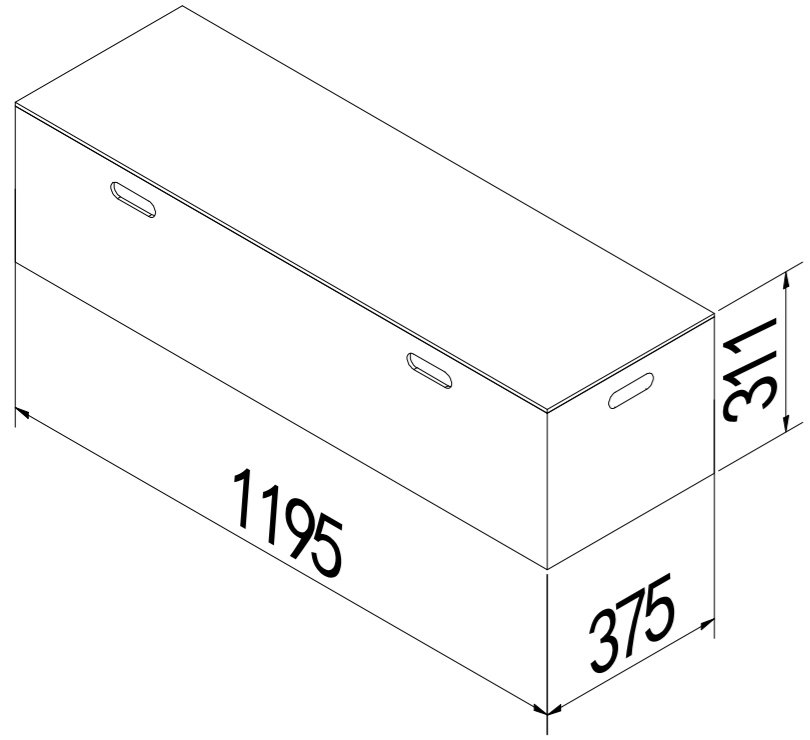


Option 2

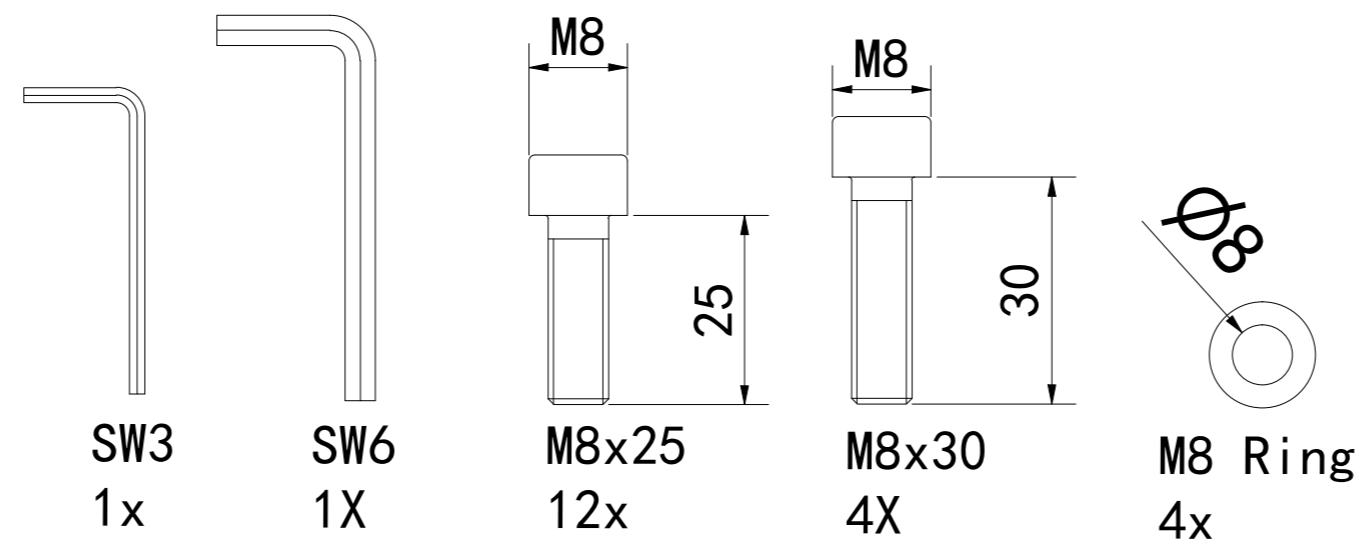
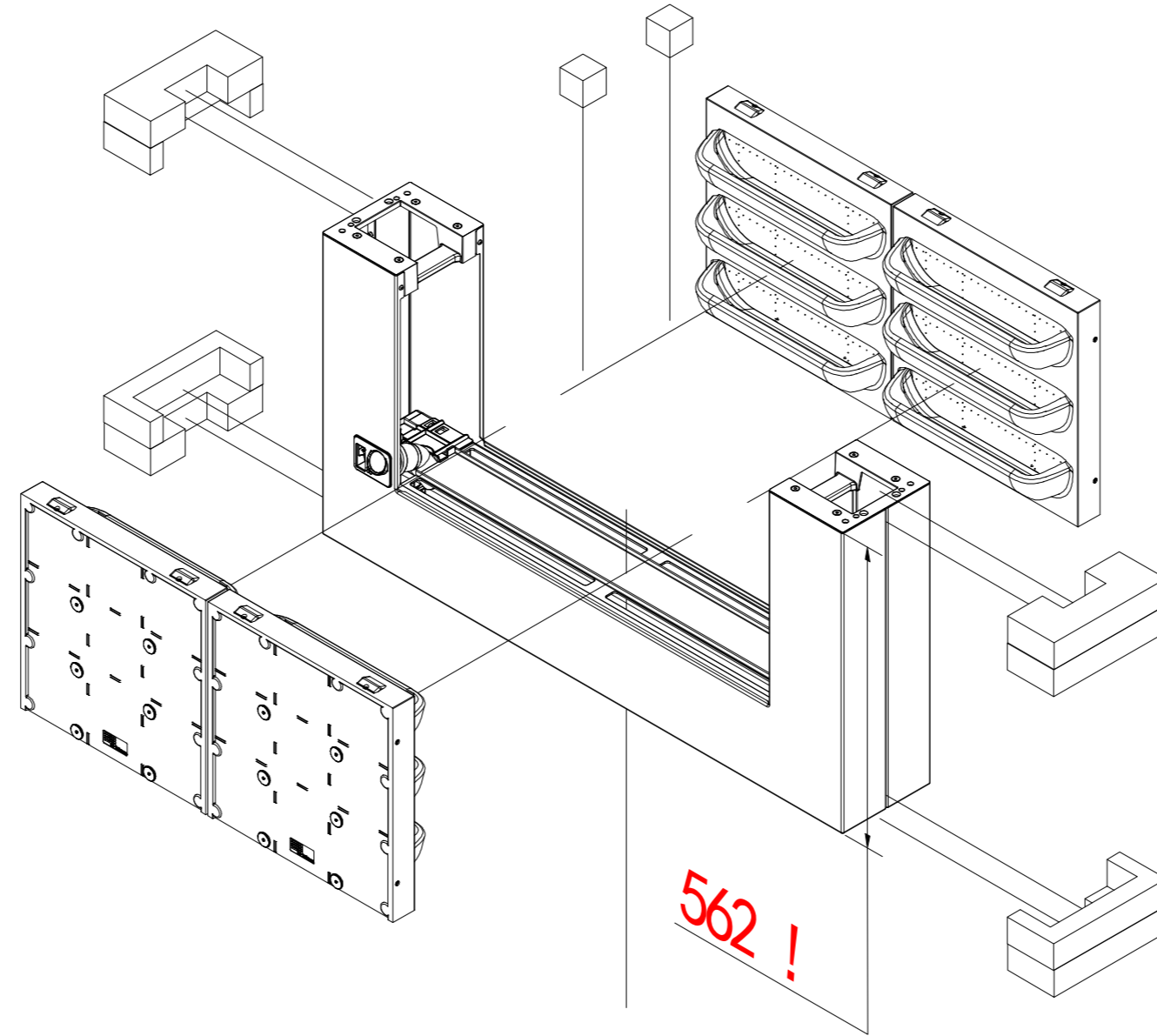
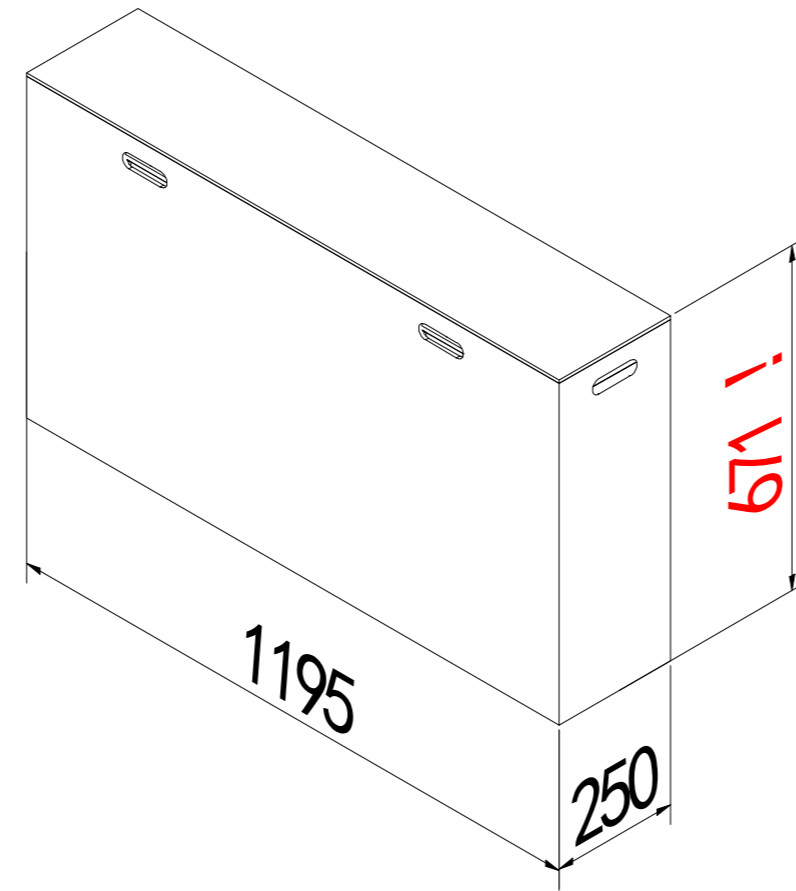


Option 3

1x
19-2909-01-00
19-2909-04-00

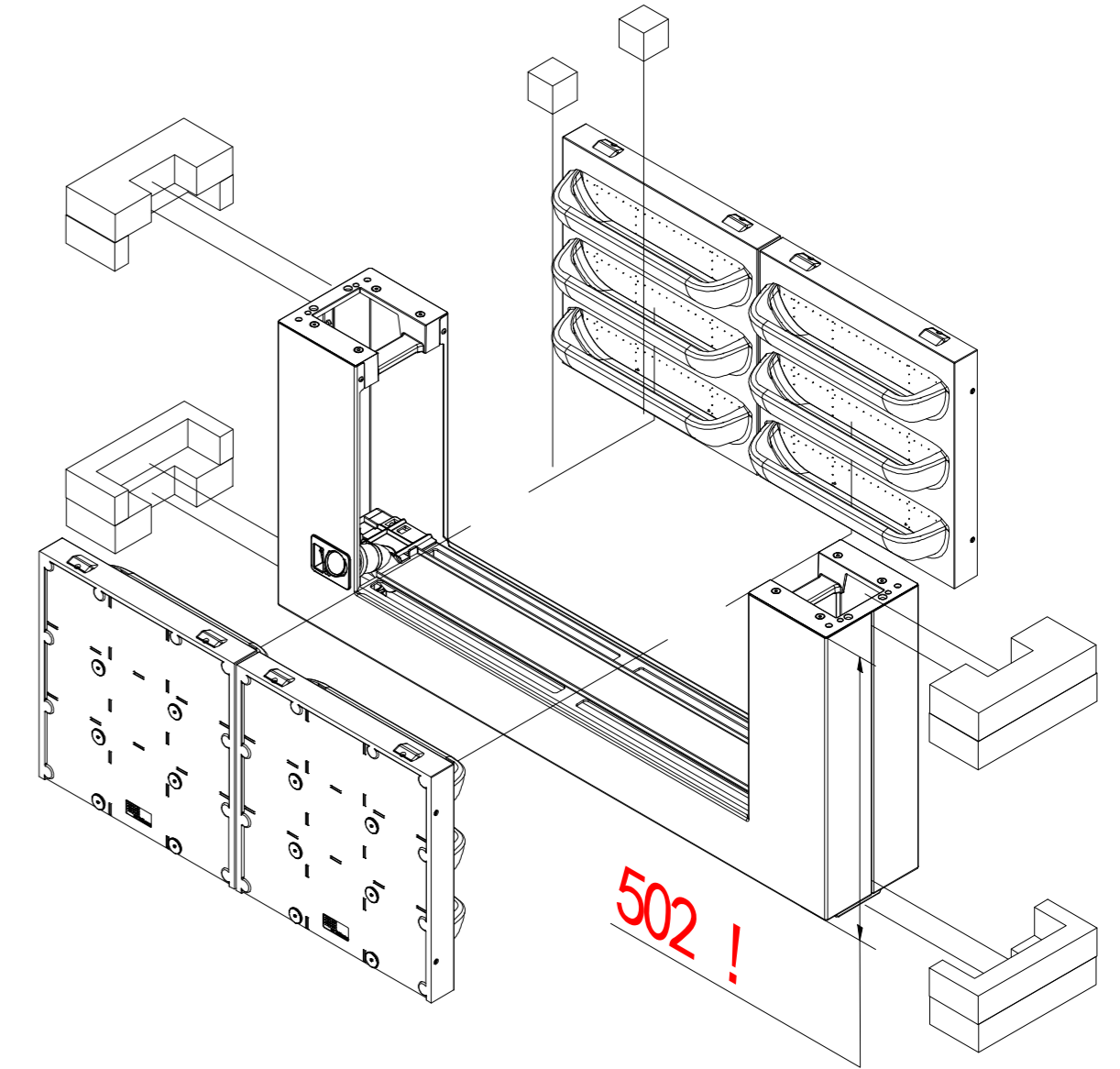
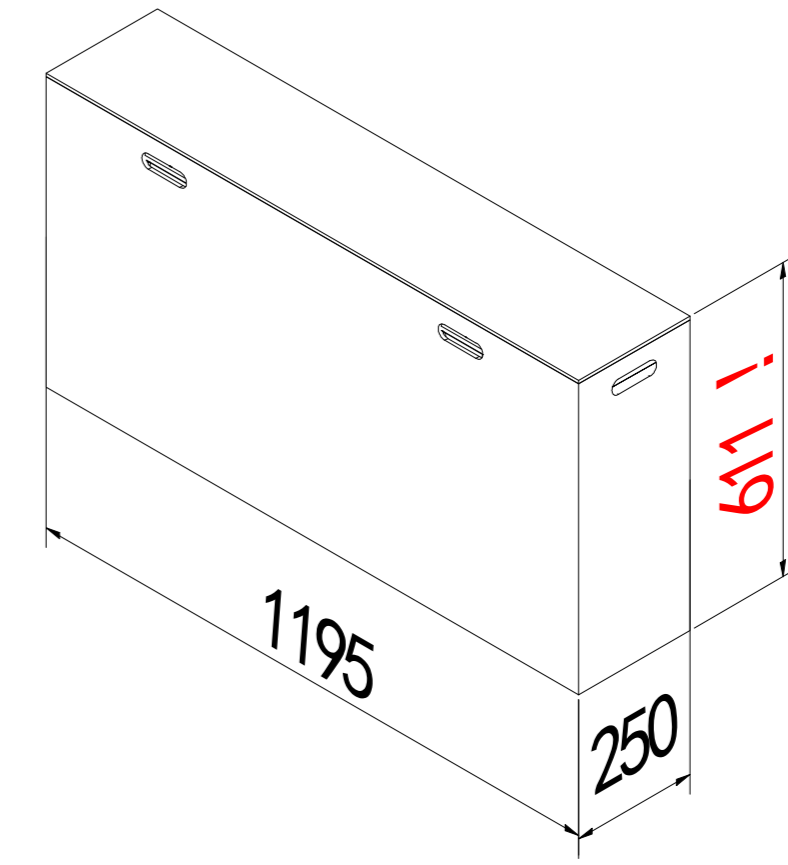


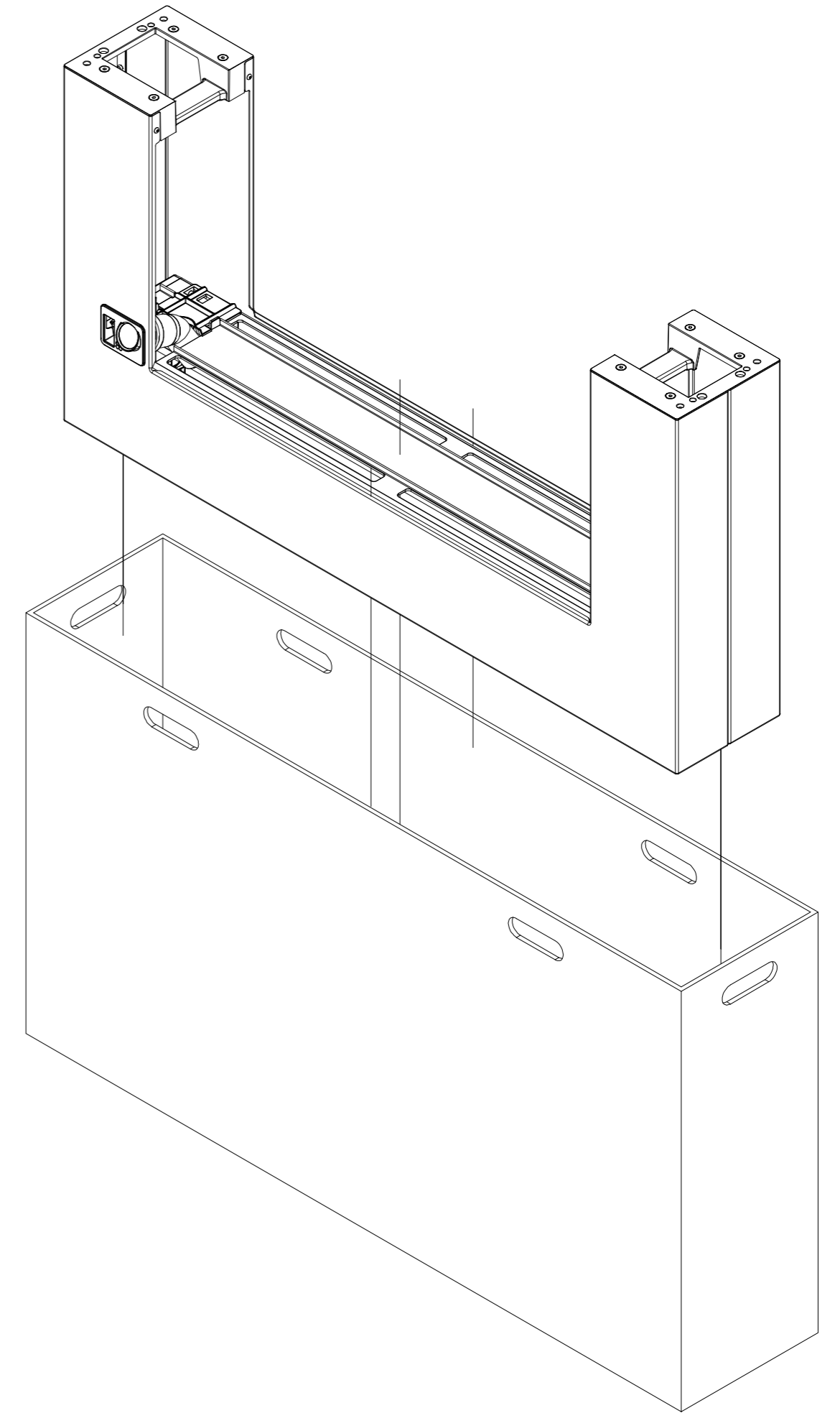
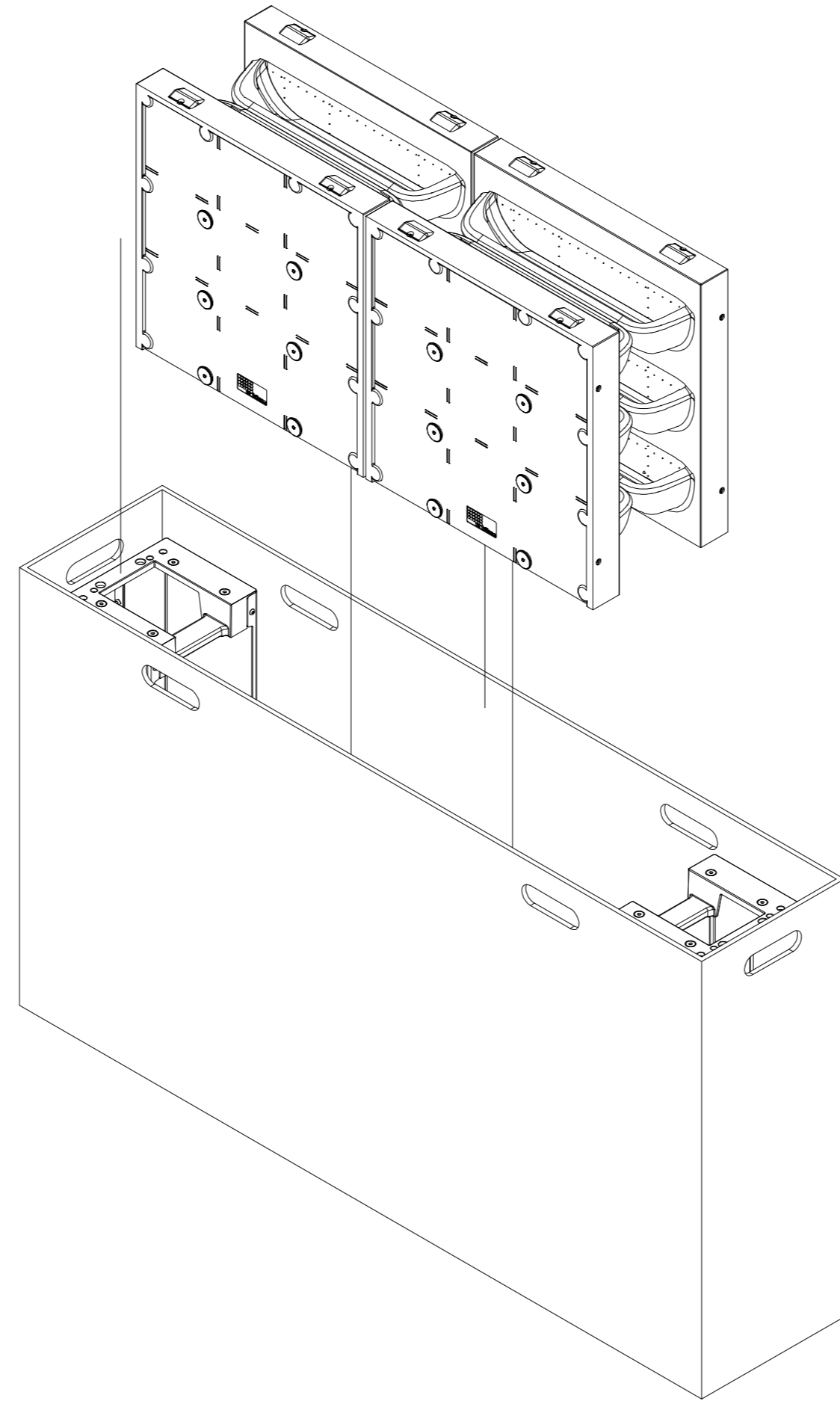
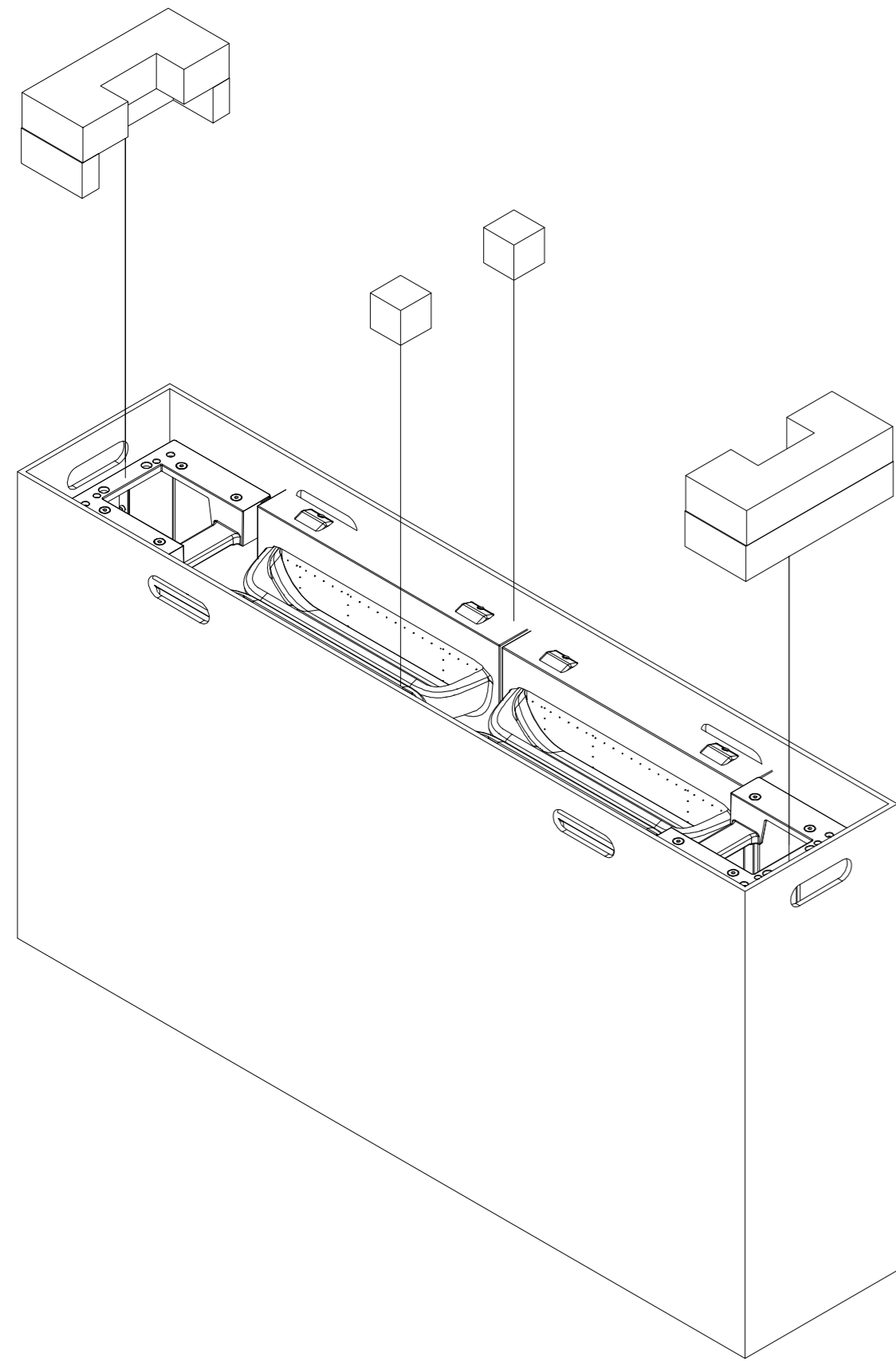
1x
19-2909-02-00



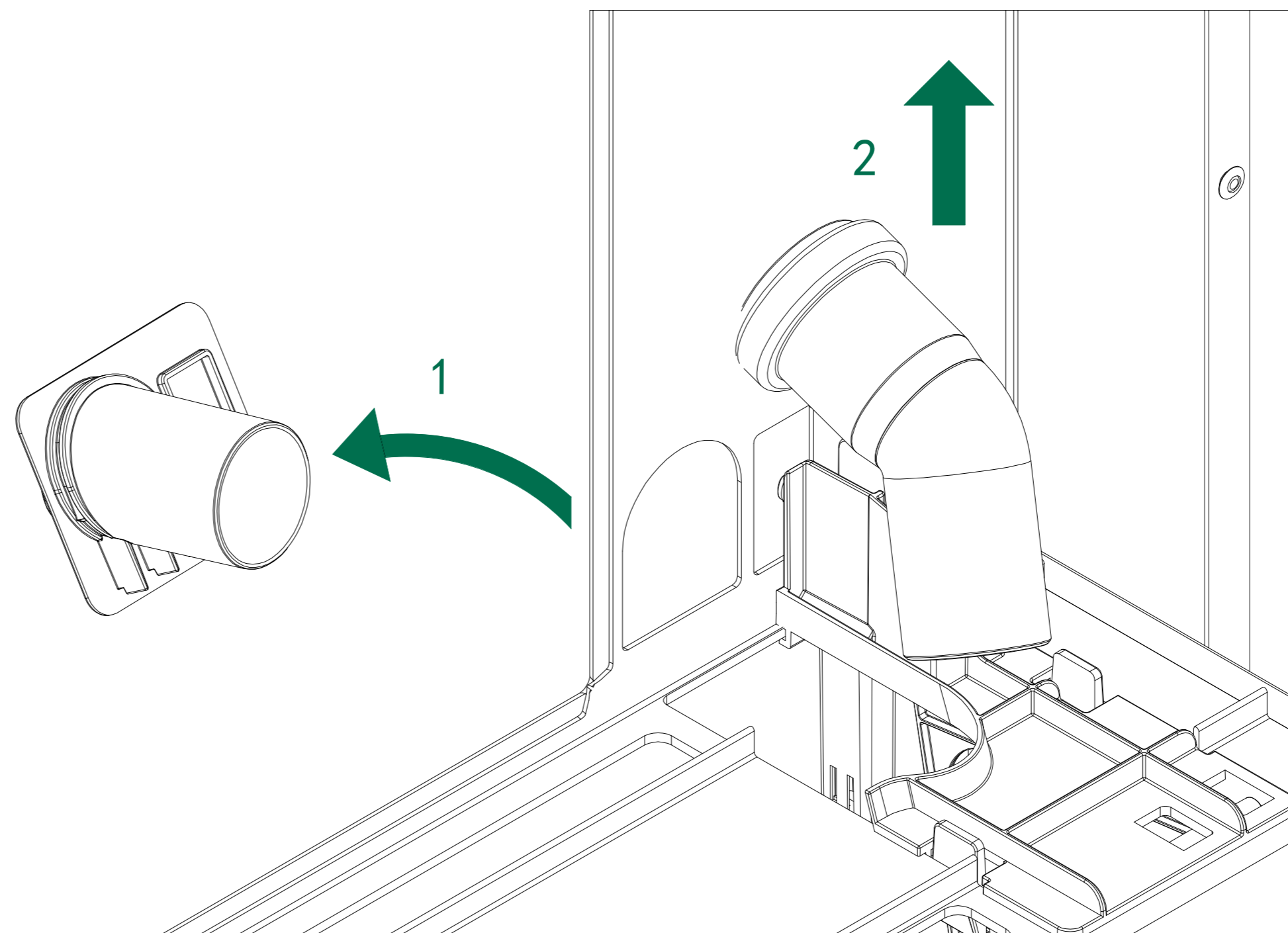
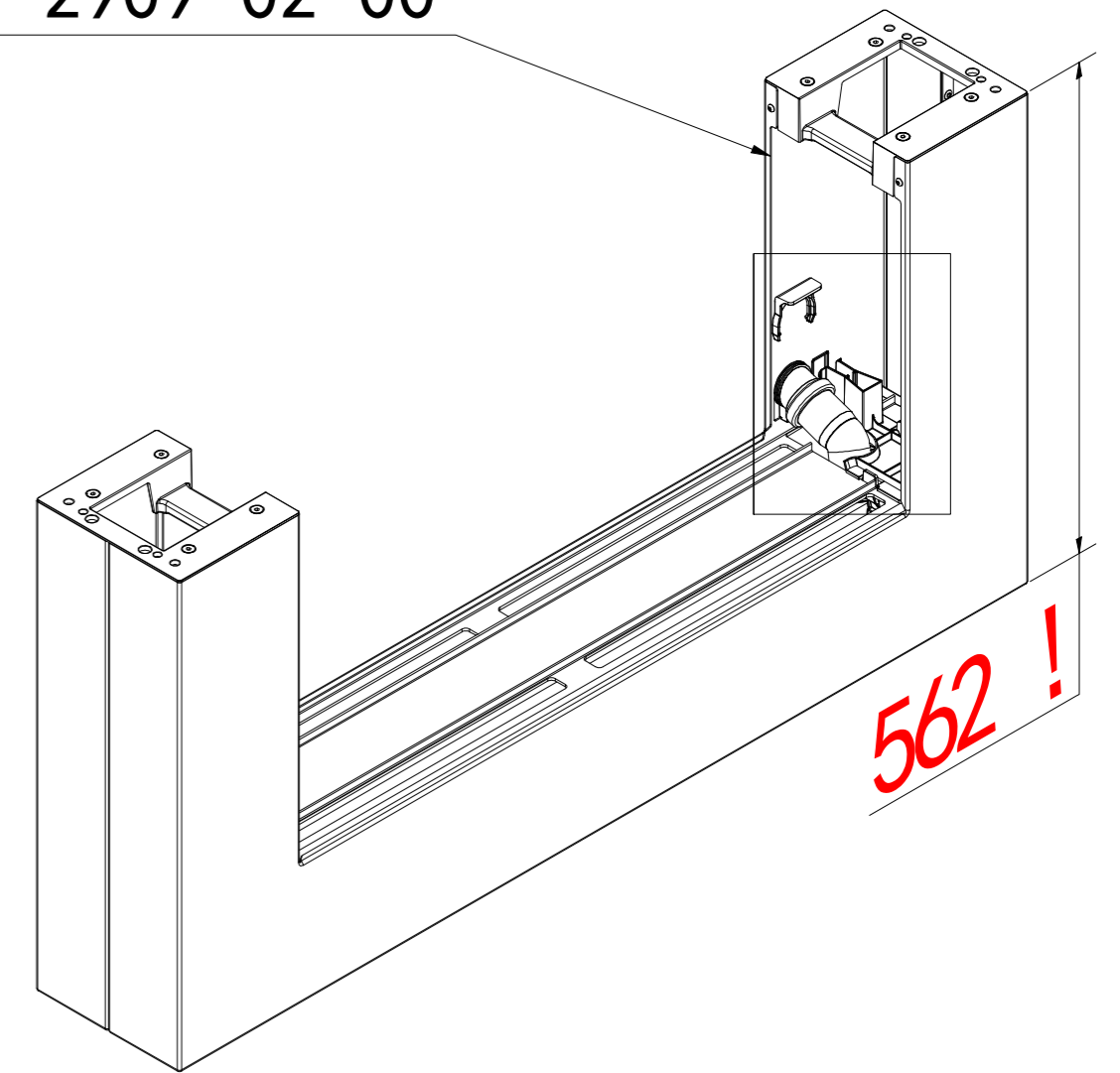
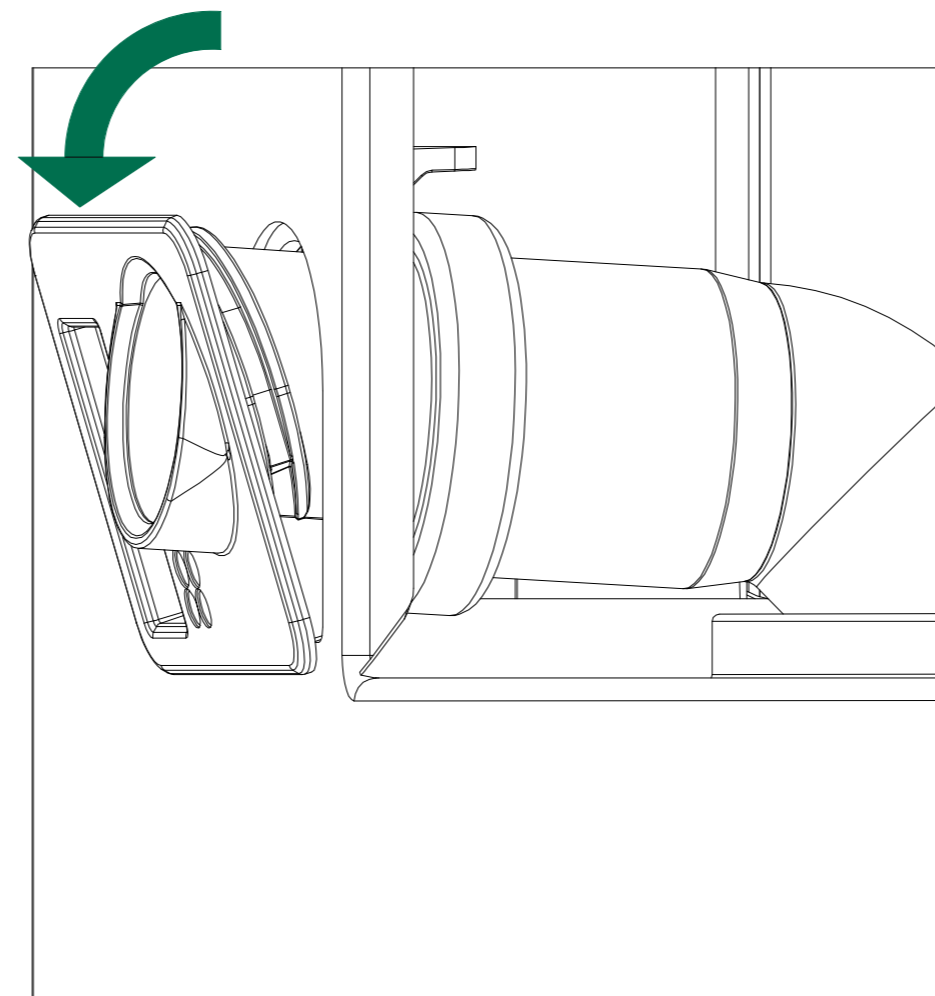
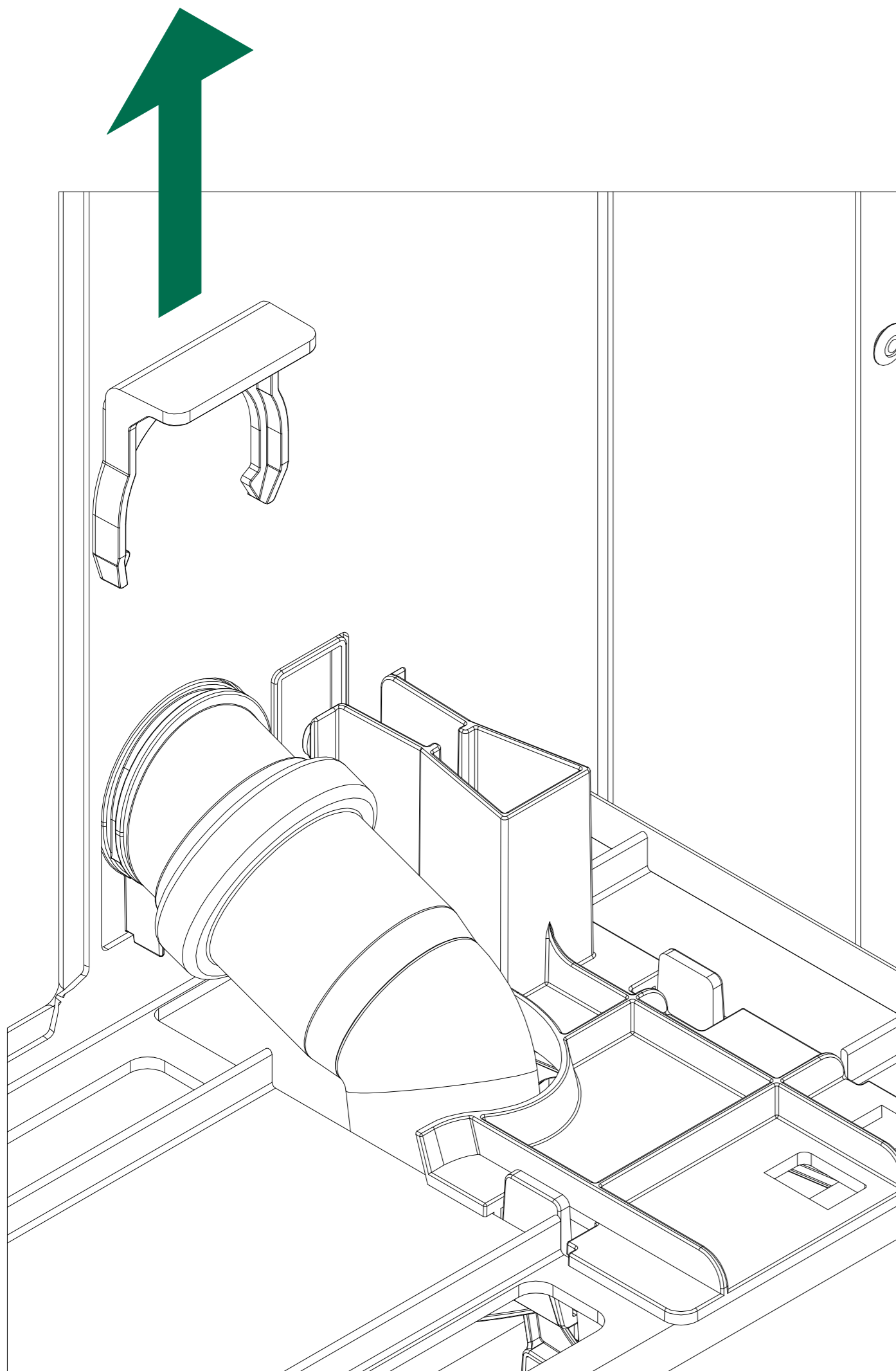
19-2909-03-00

| Option: | Quantity: |
|----------|-----------|
| Option 1 | 0 x |
| Option 2 | 1 x |
| Option 3 | 2 x |

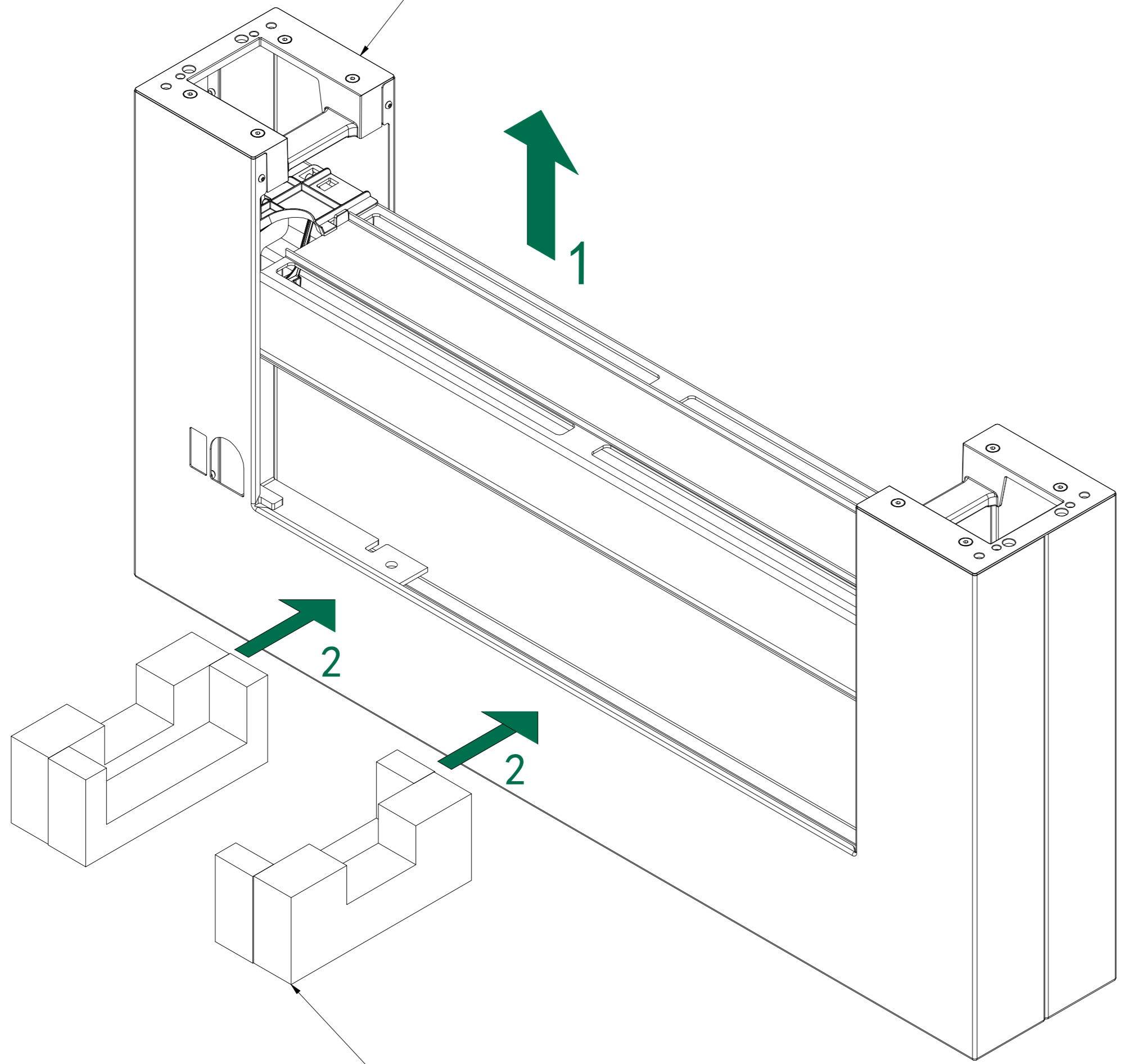




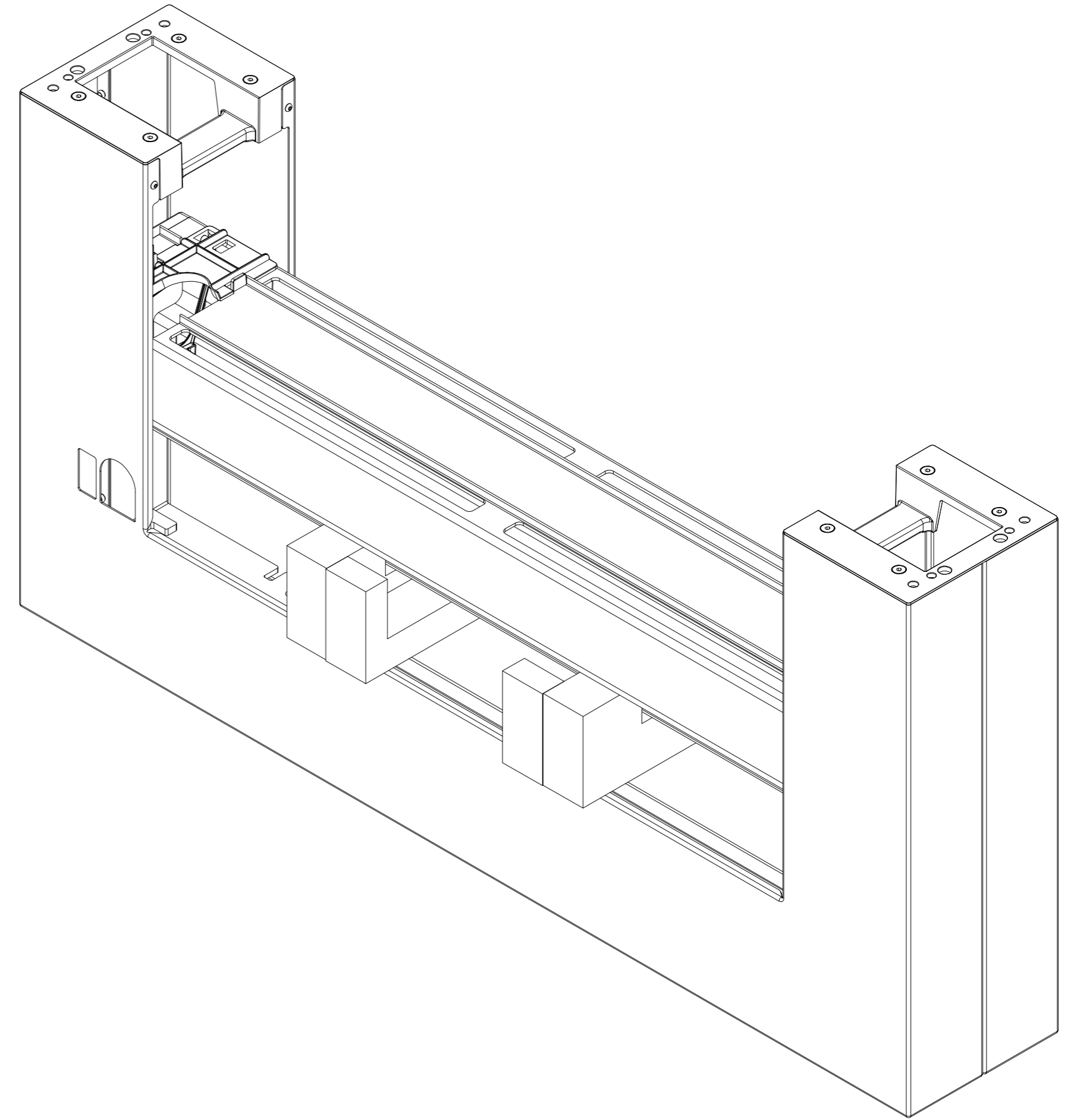
19-2909-02-00



19-2909-02-00

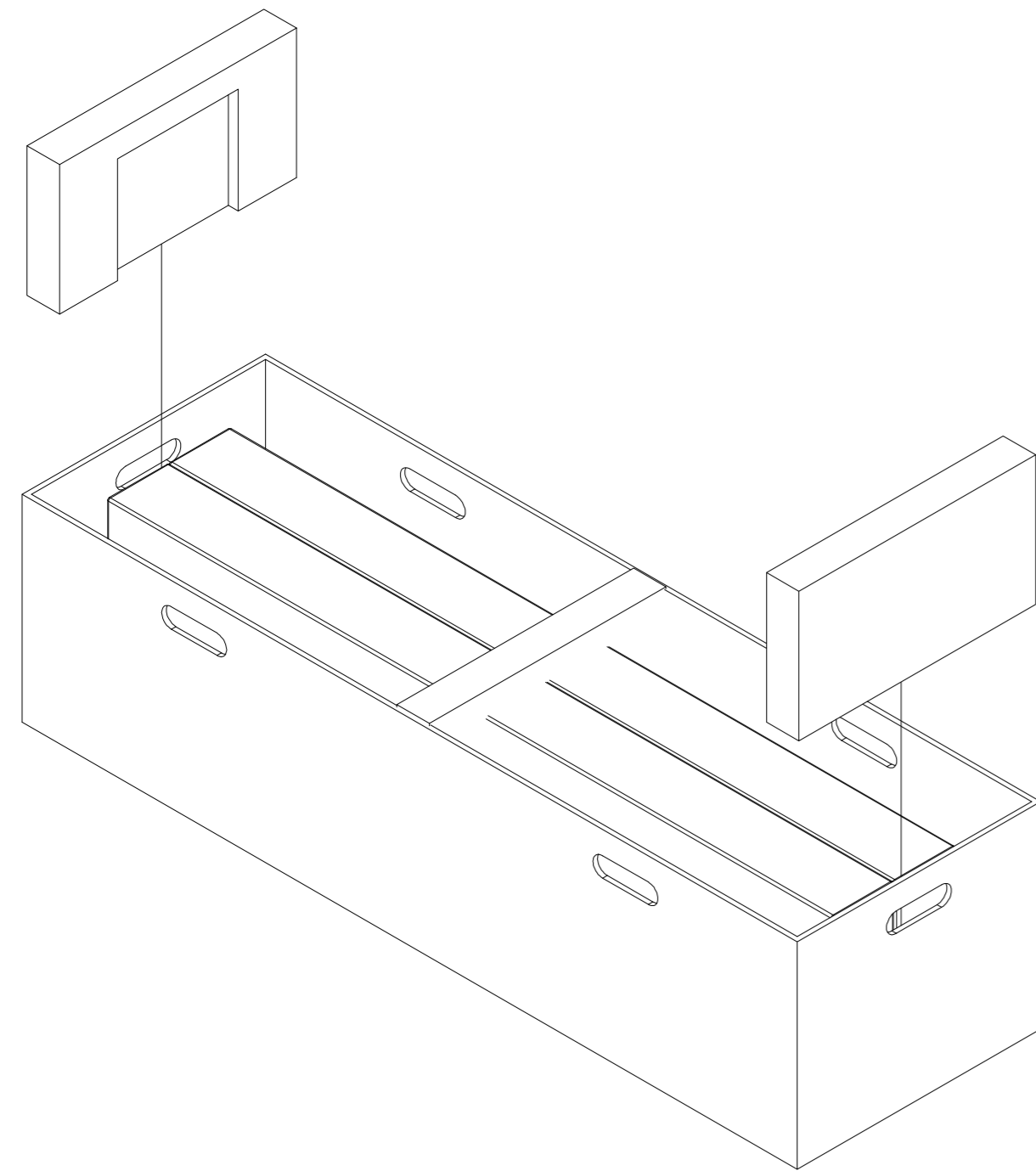


PE-1000 (2x)

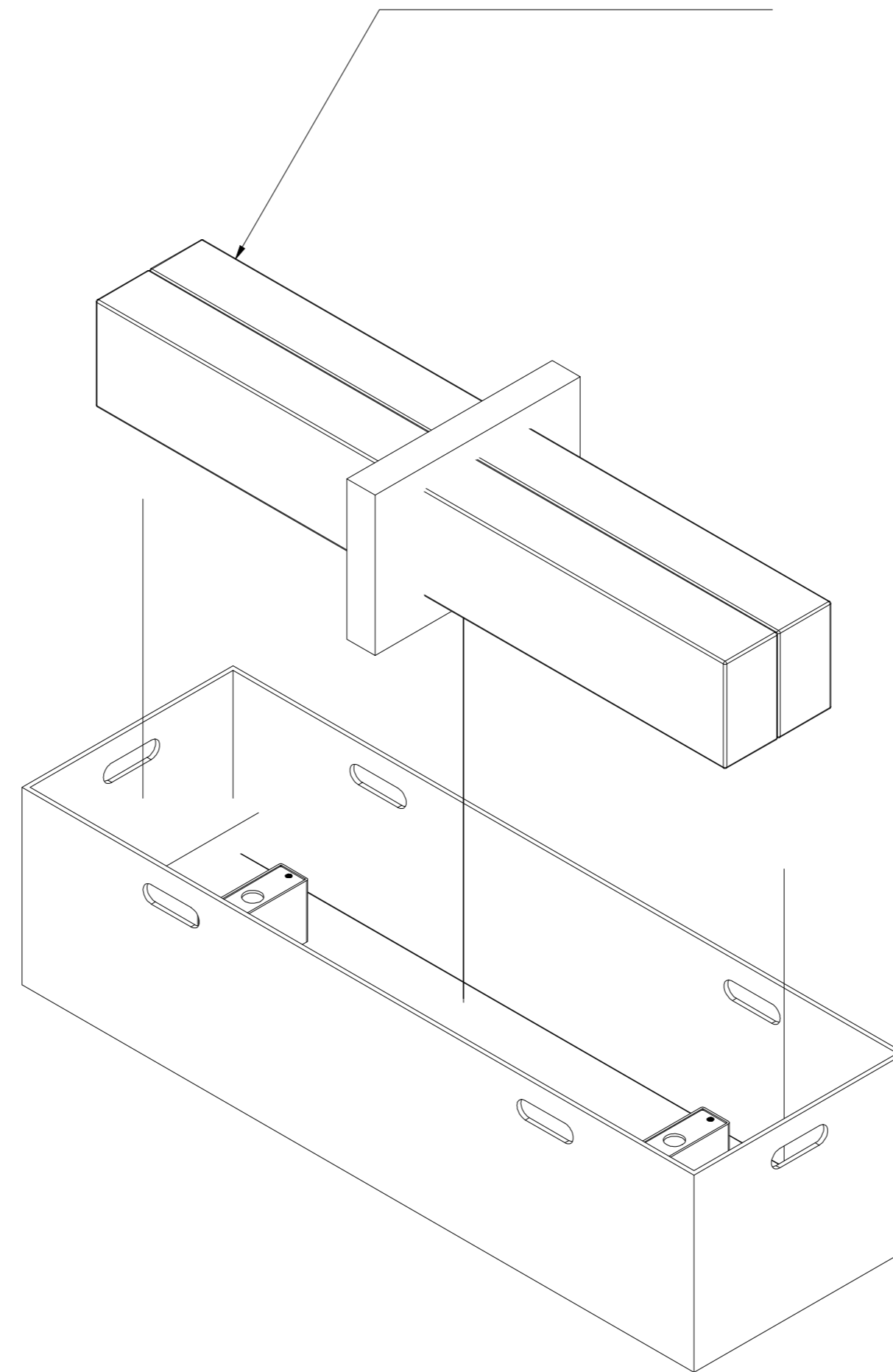


19-2909-01-00

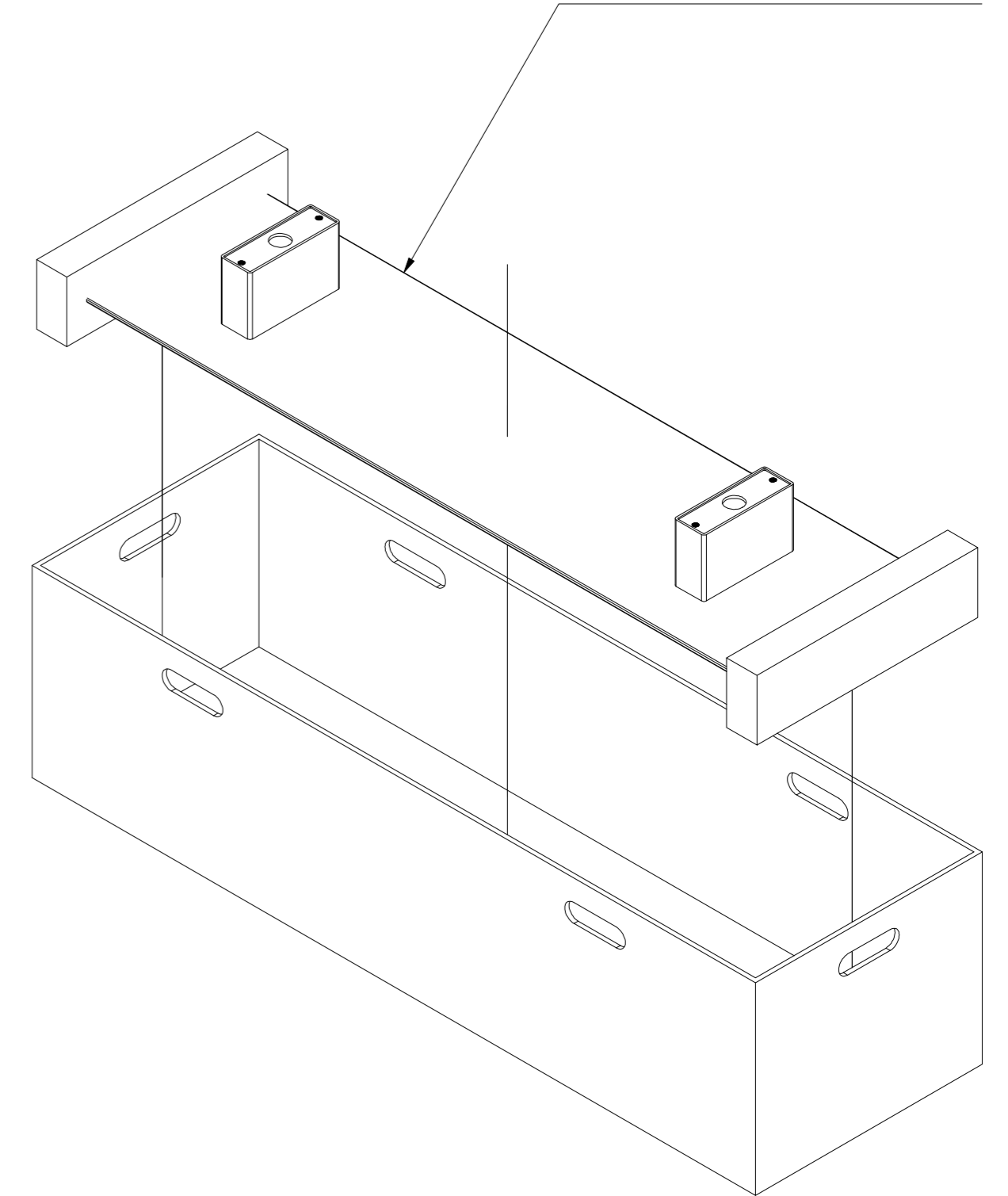
19-2909-04-00



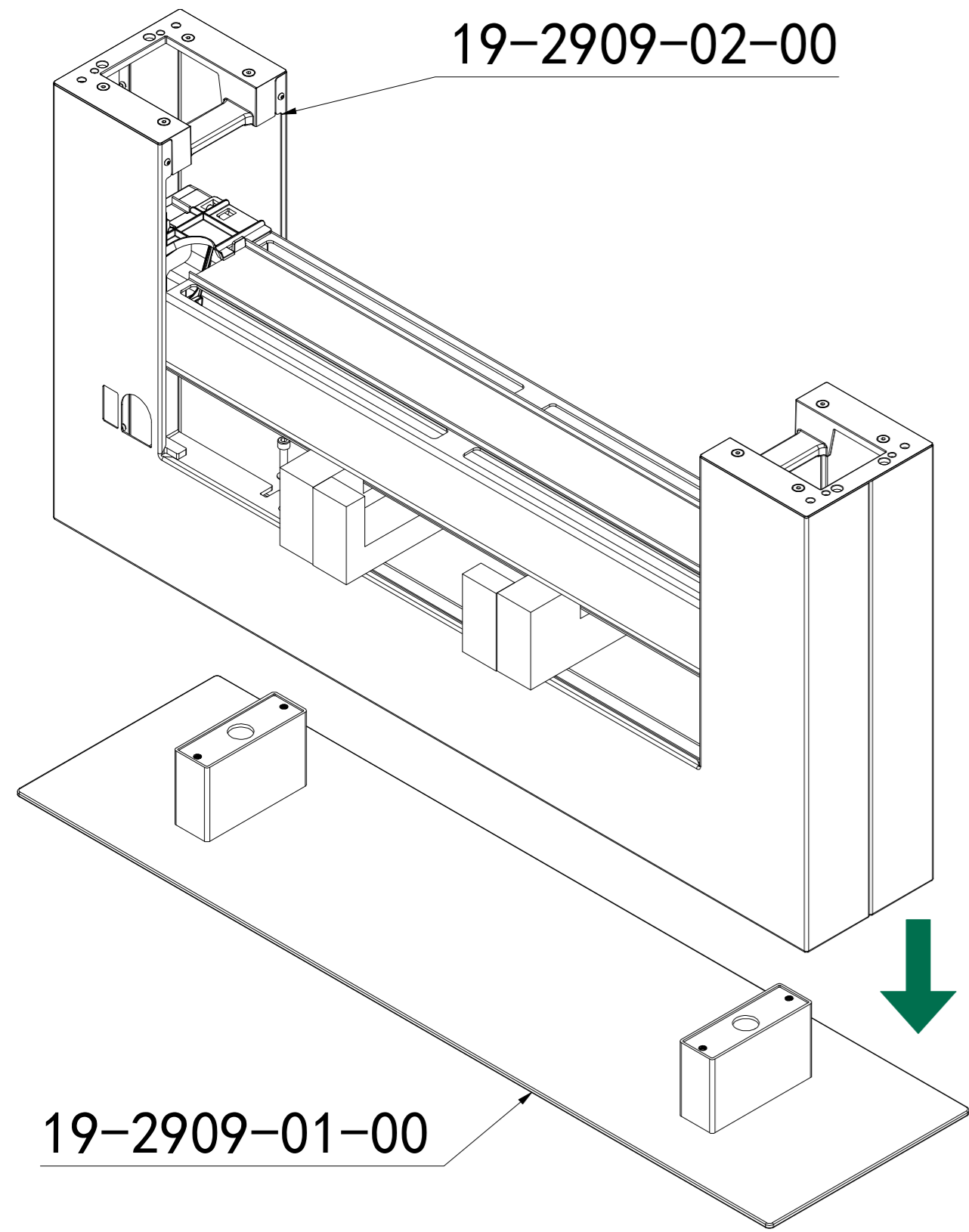
19-2909-04-00



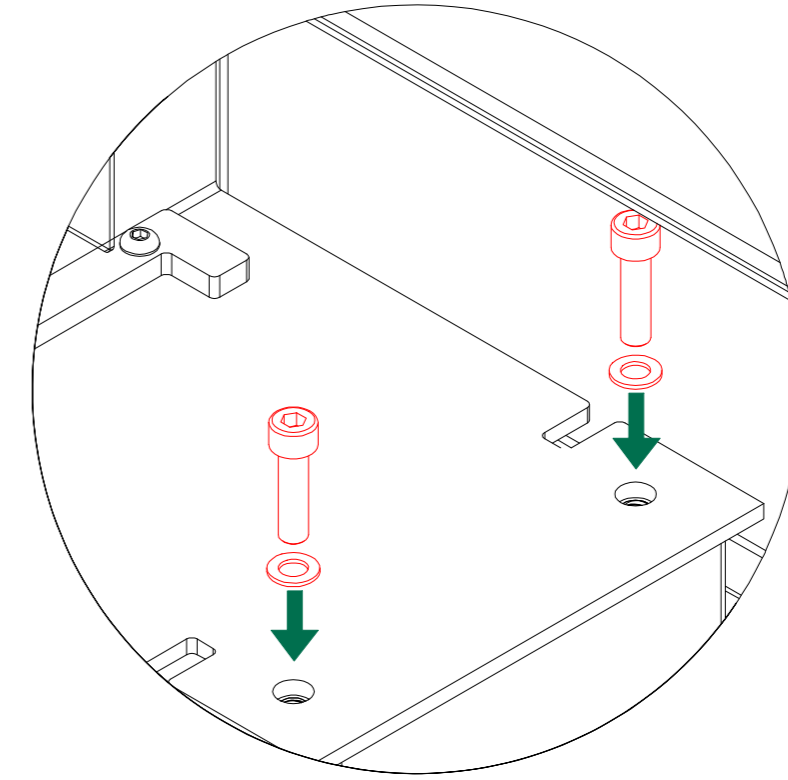
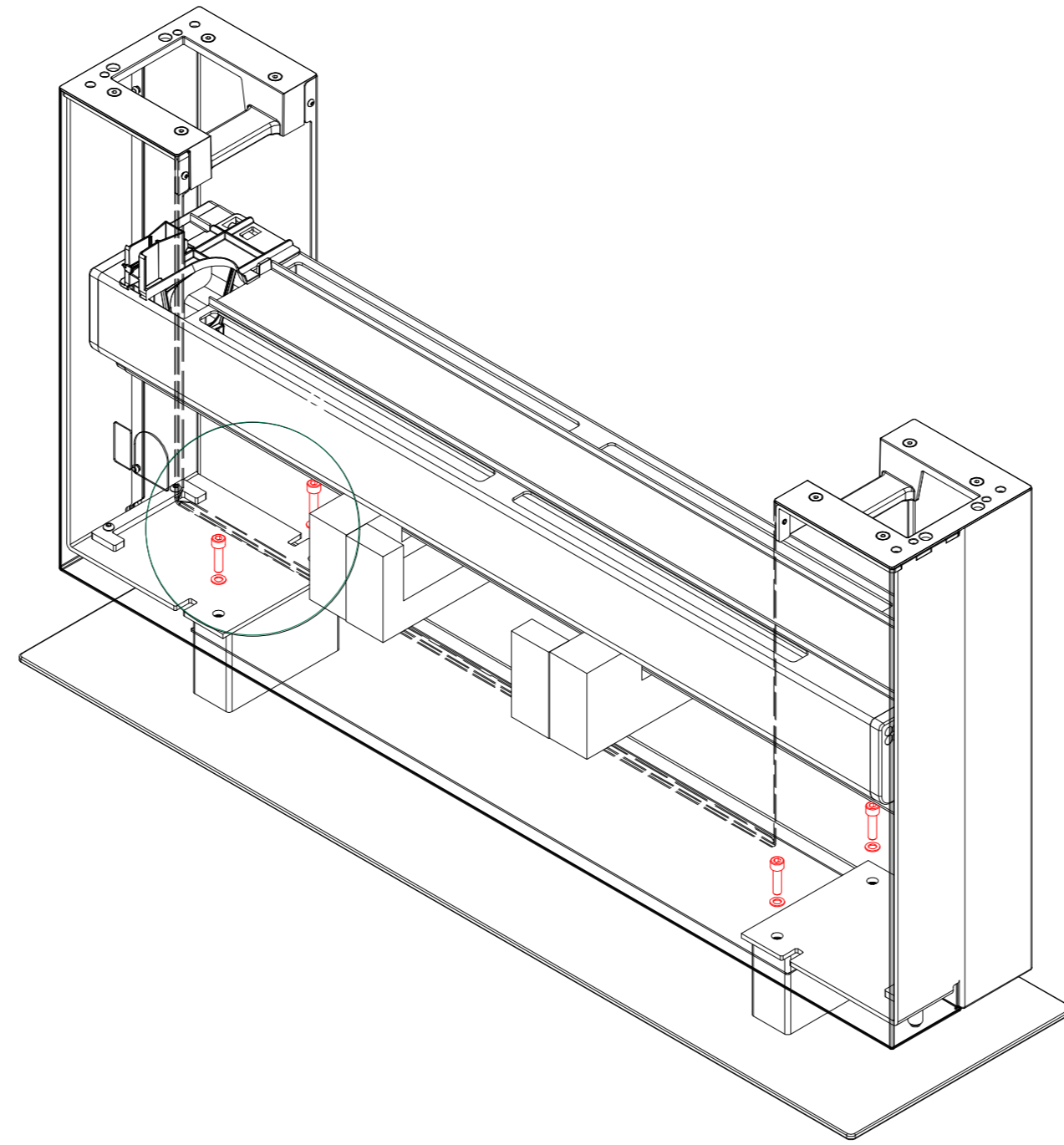
19-2909-01-00



19-2909-02-00

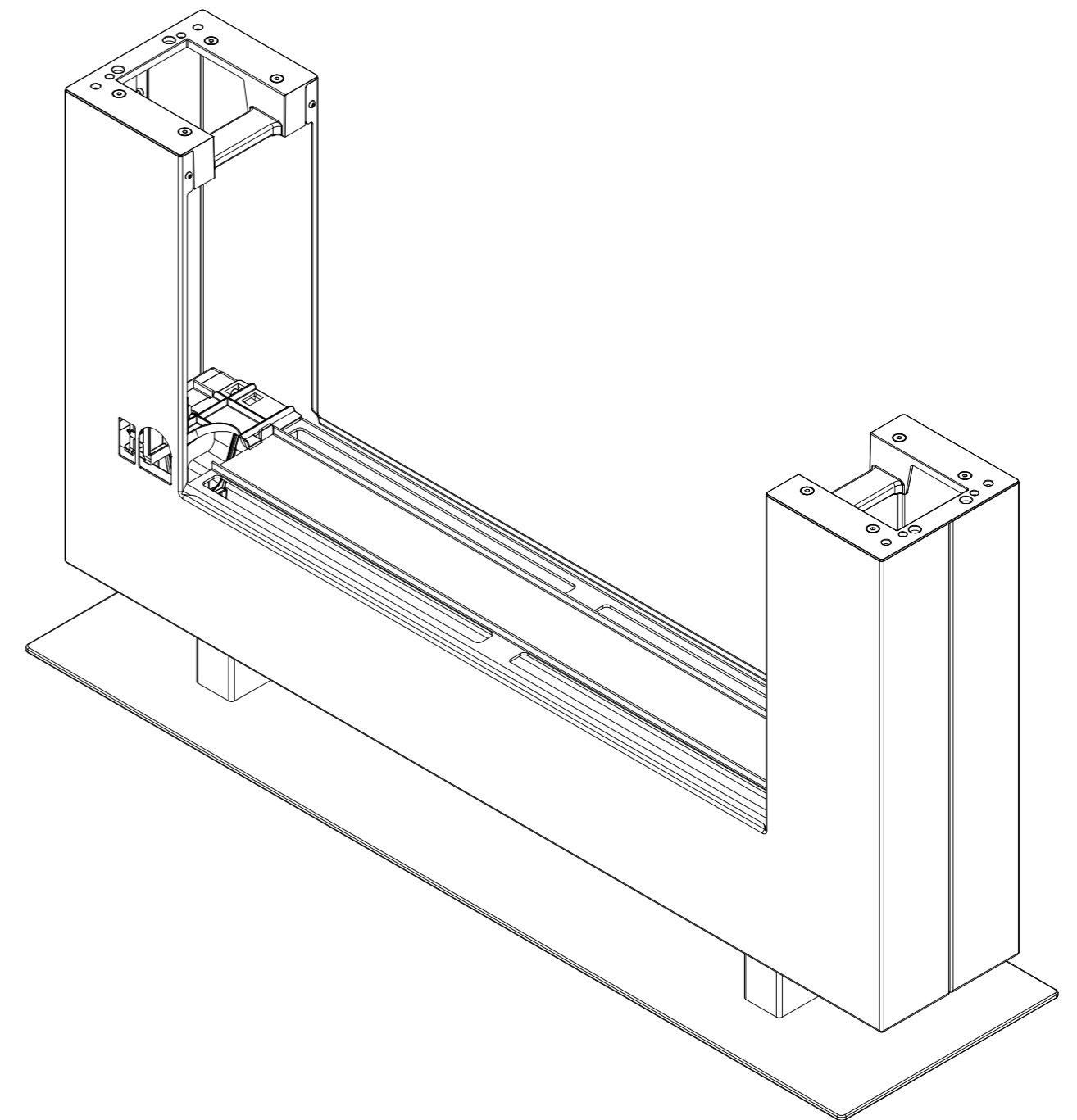
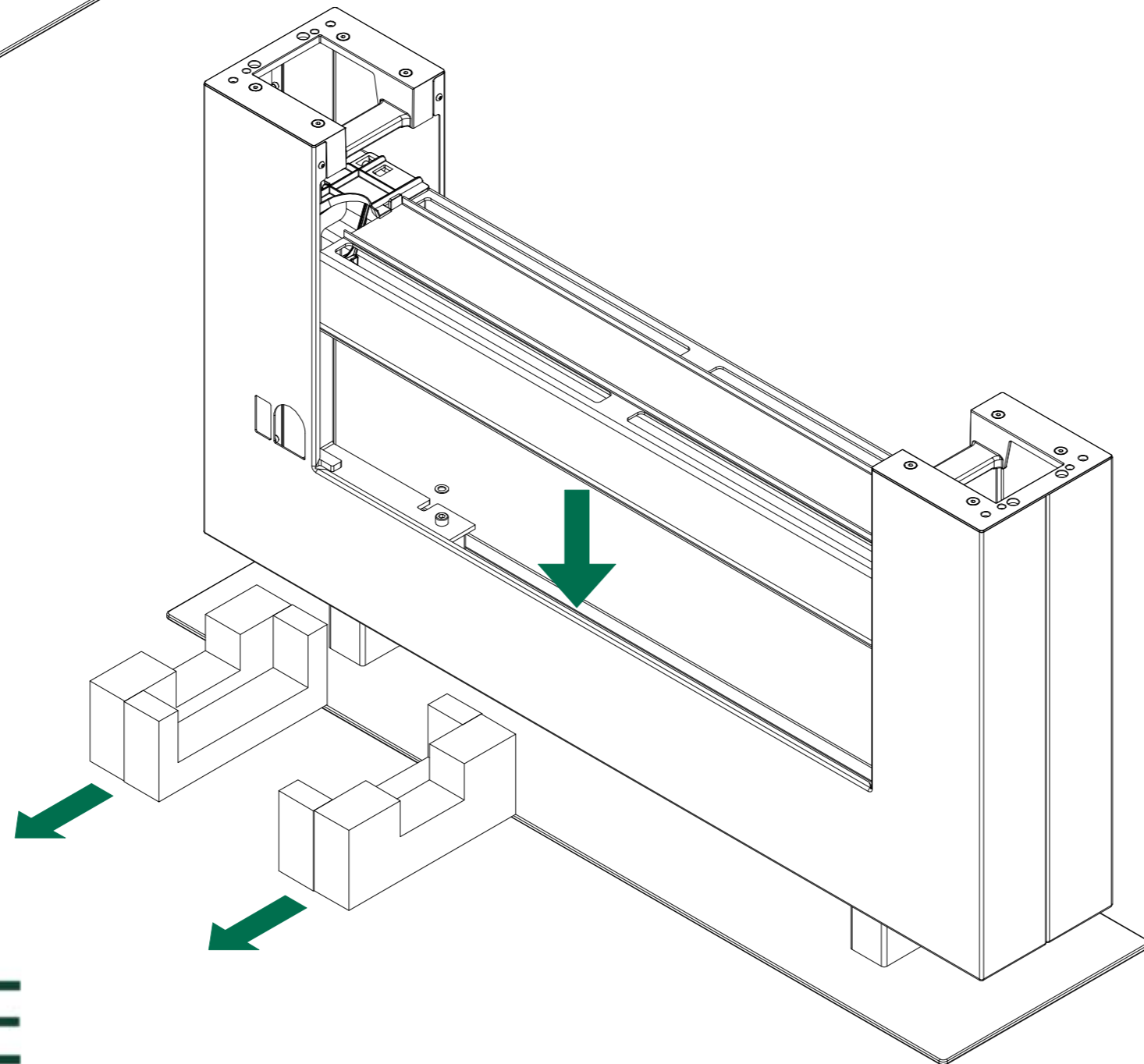
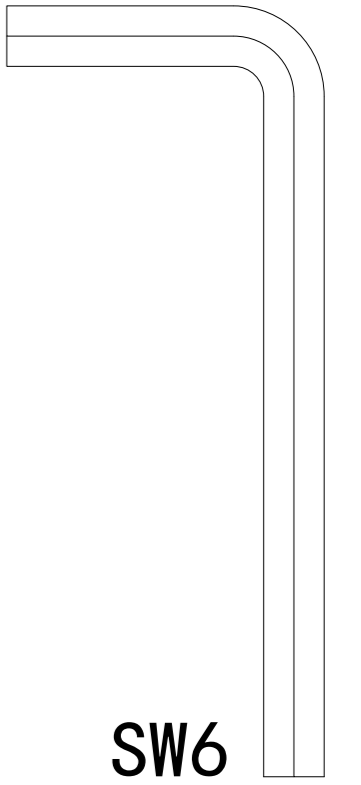


19-2909-01-00

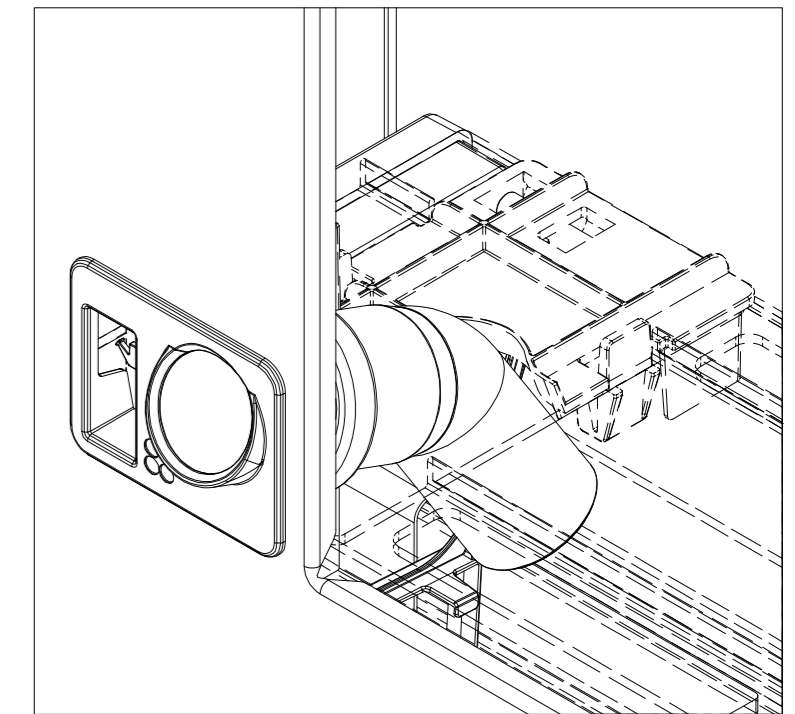
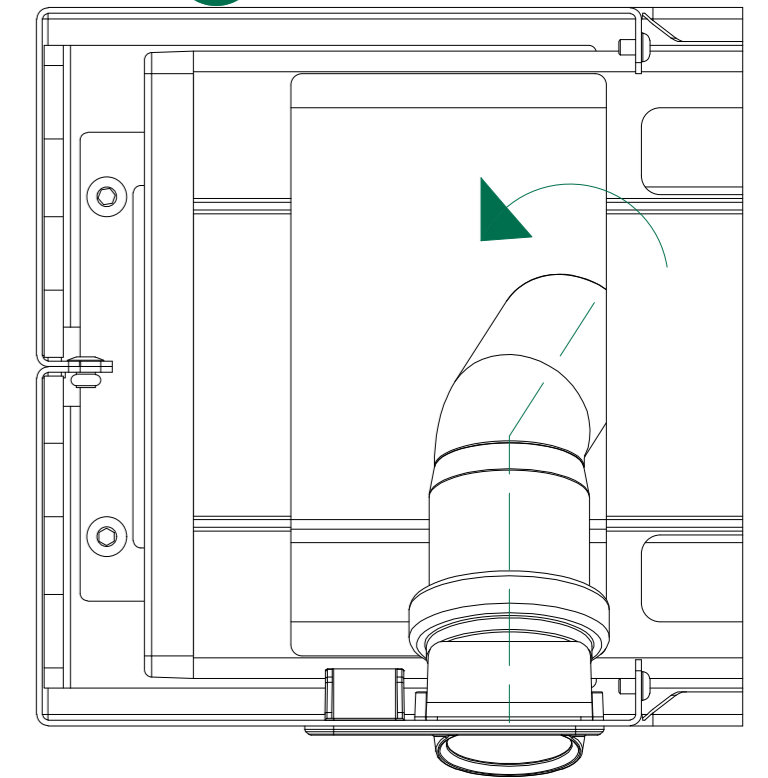
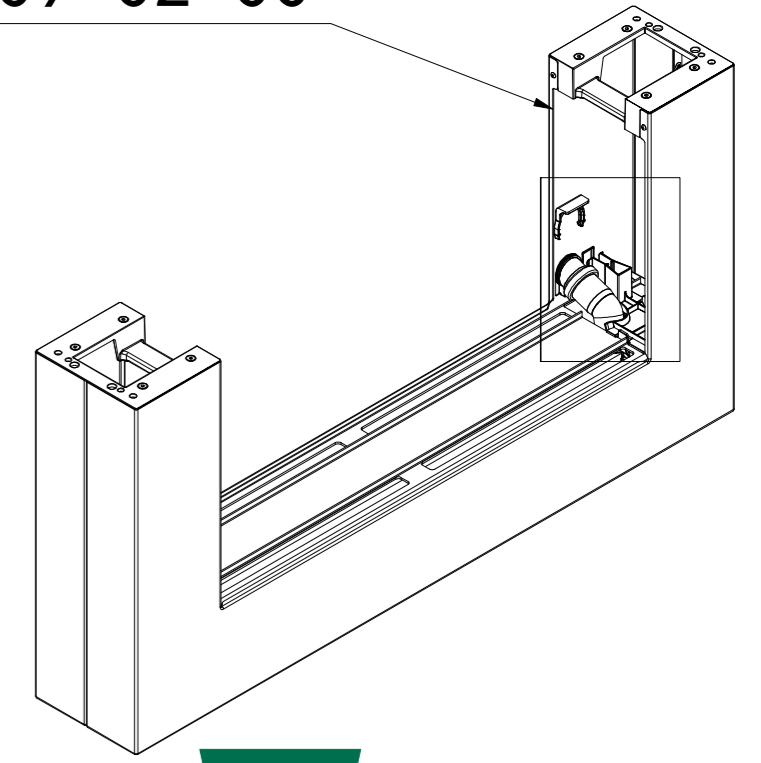
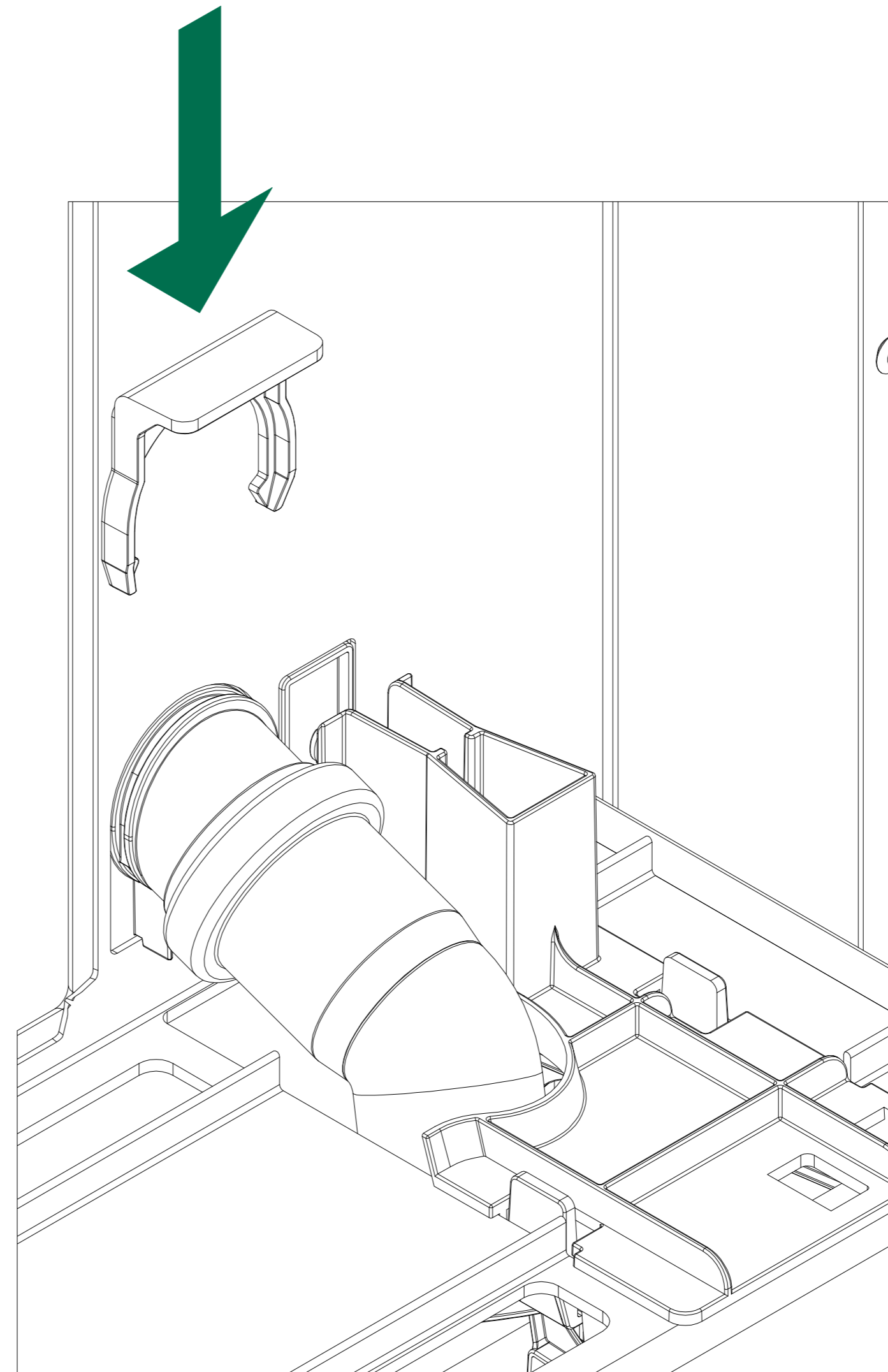
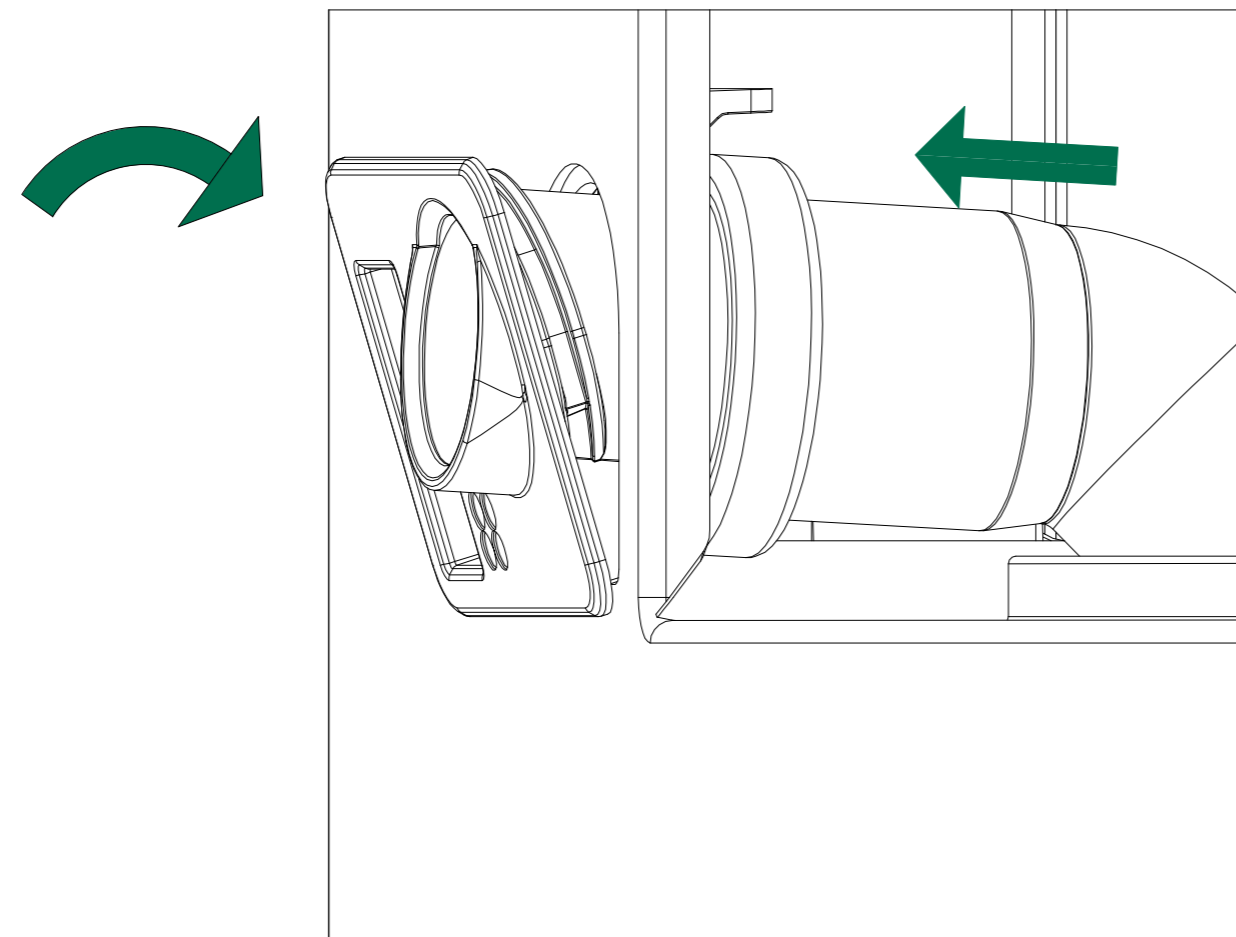
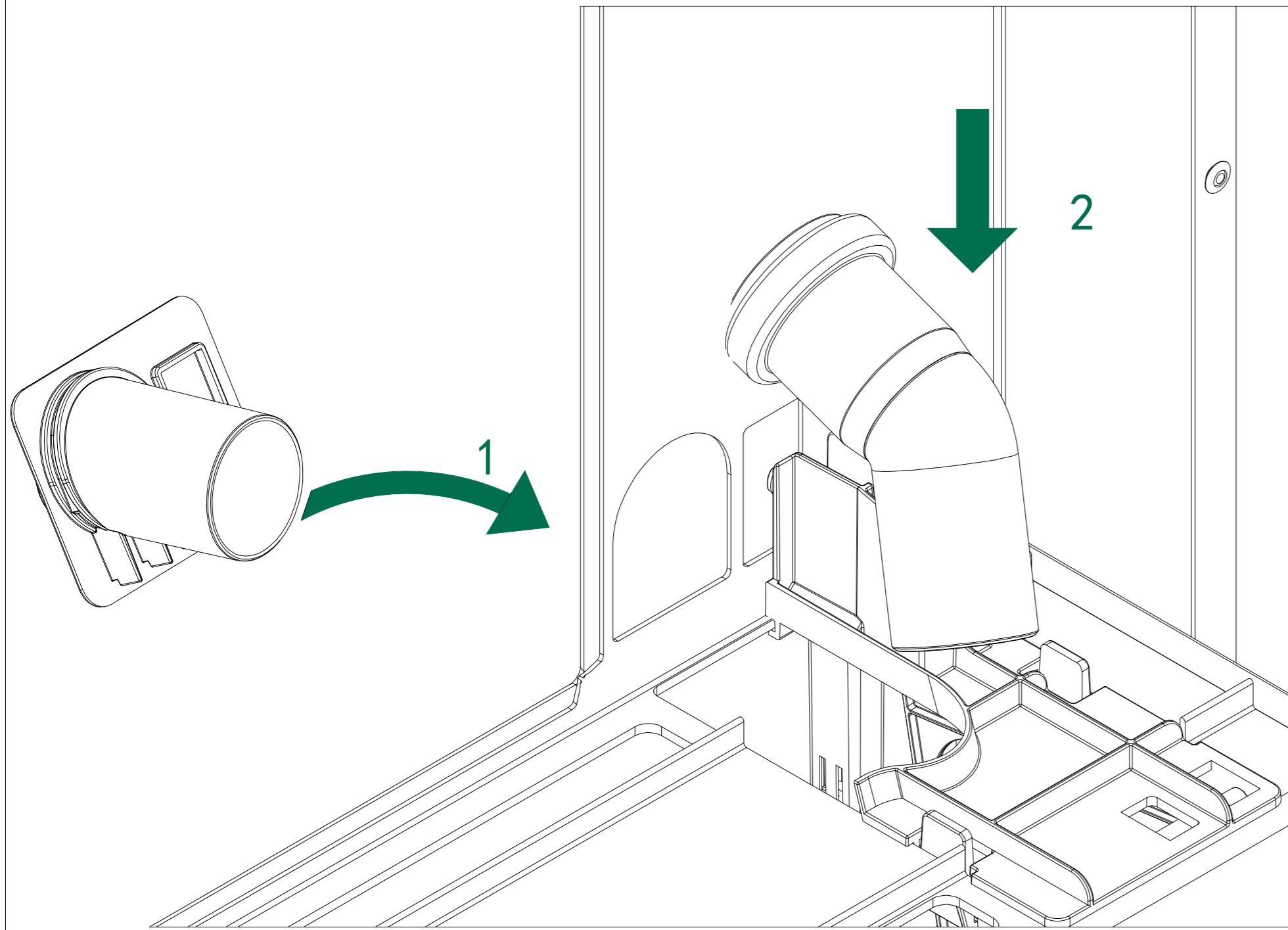


M8x30
(4x)
M8 Ring
(4x)

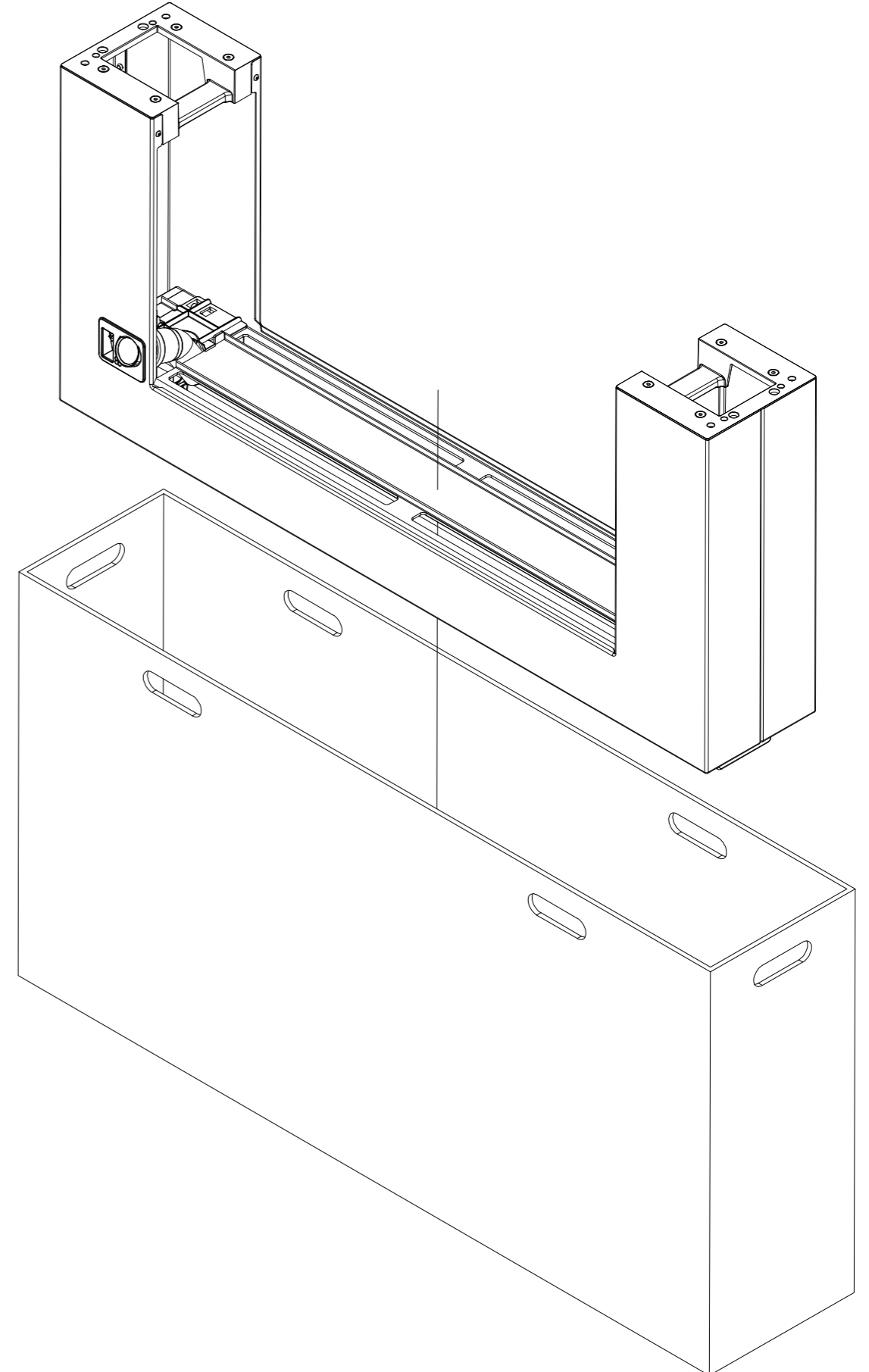
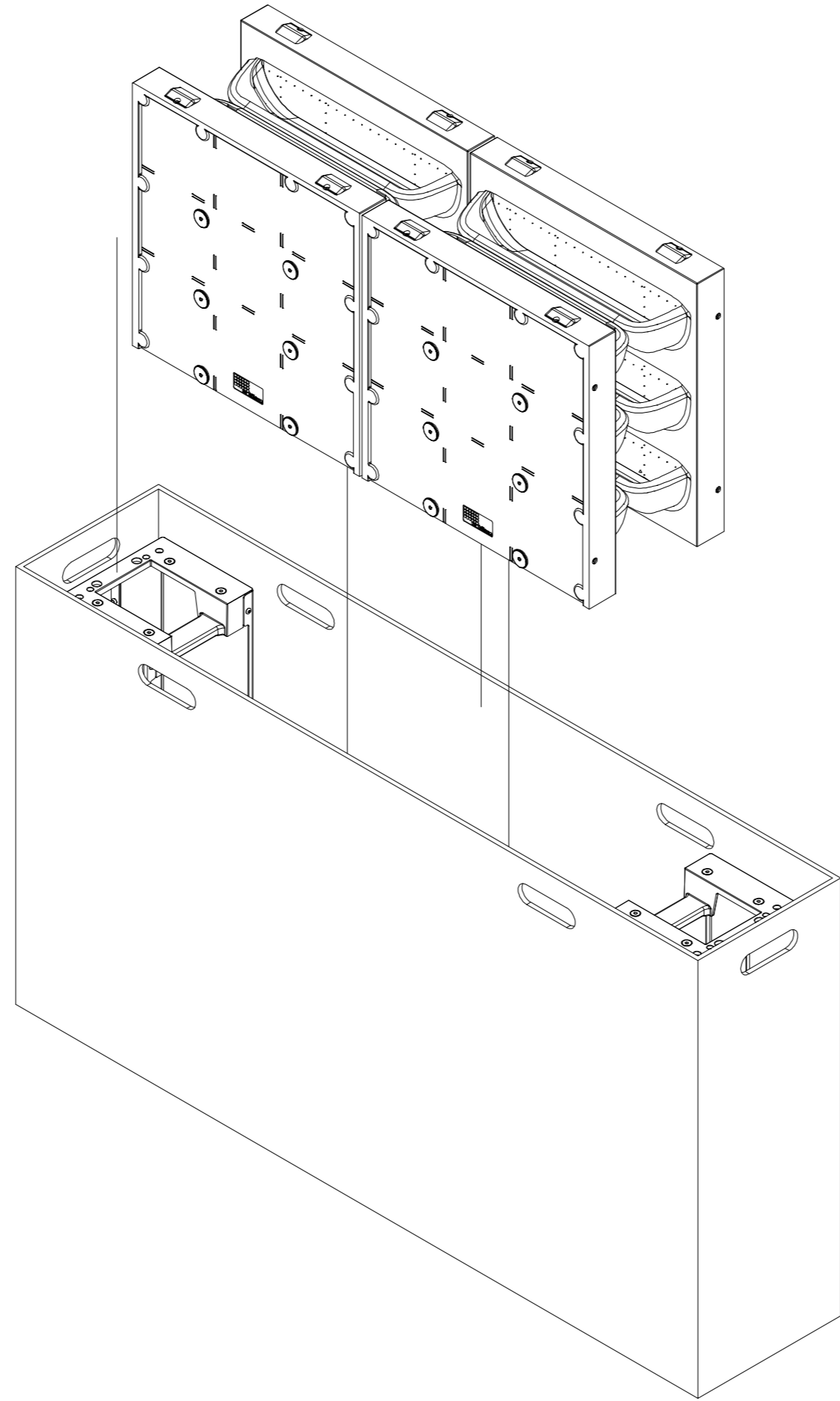
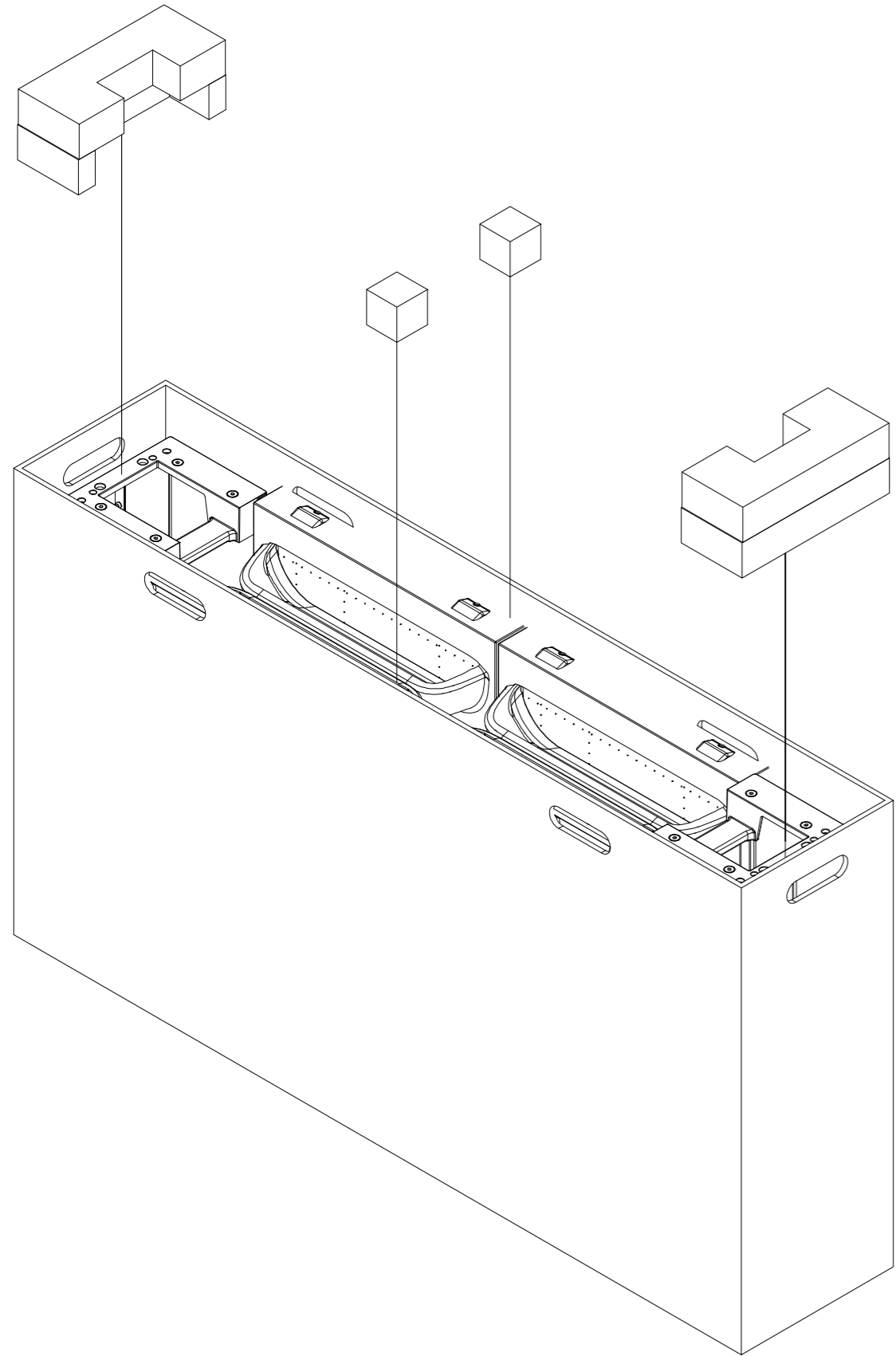
SW6



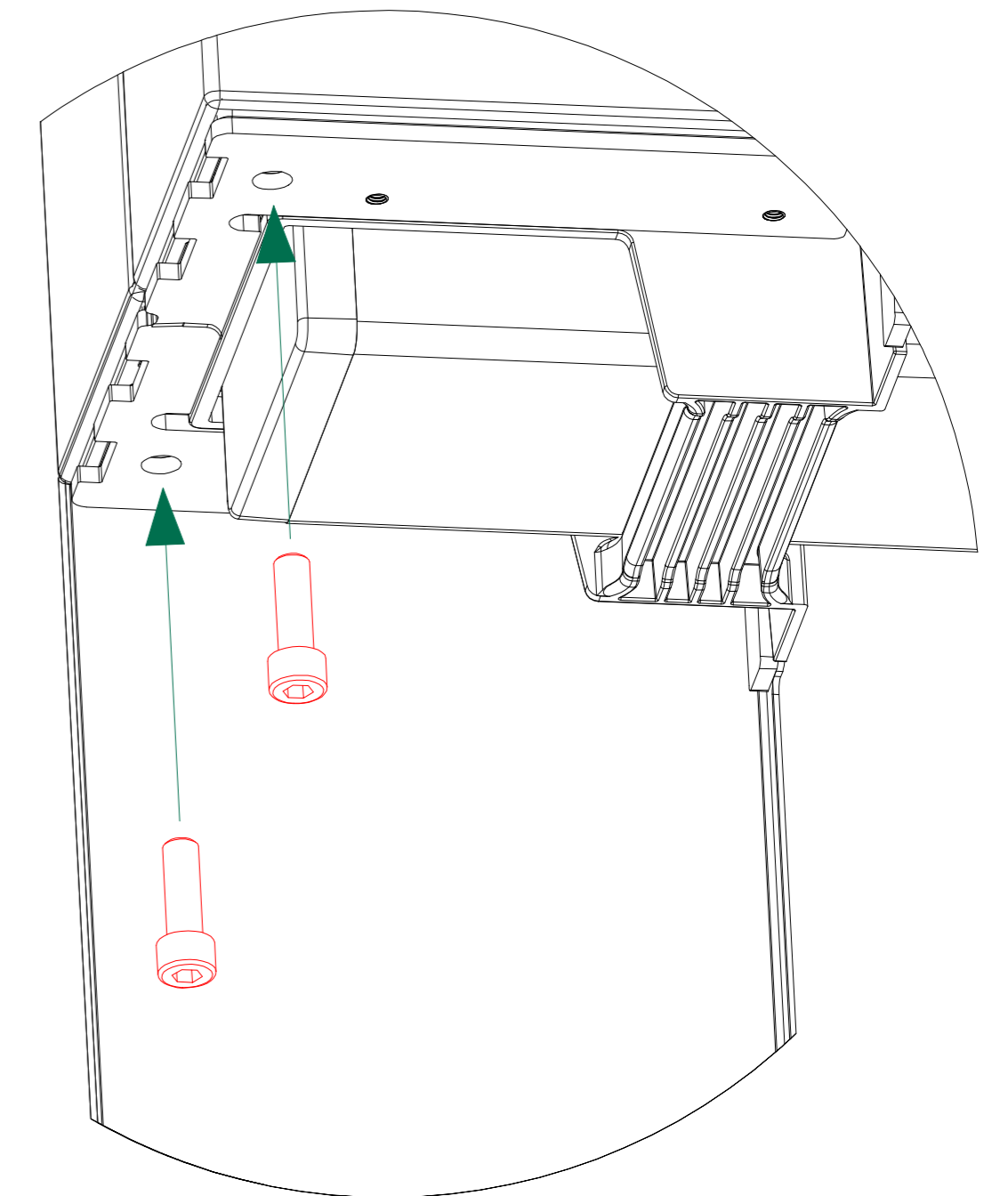
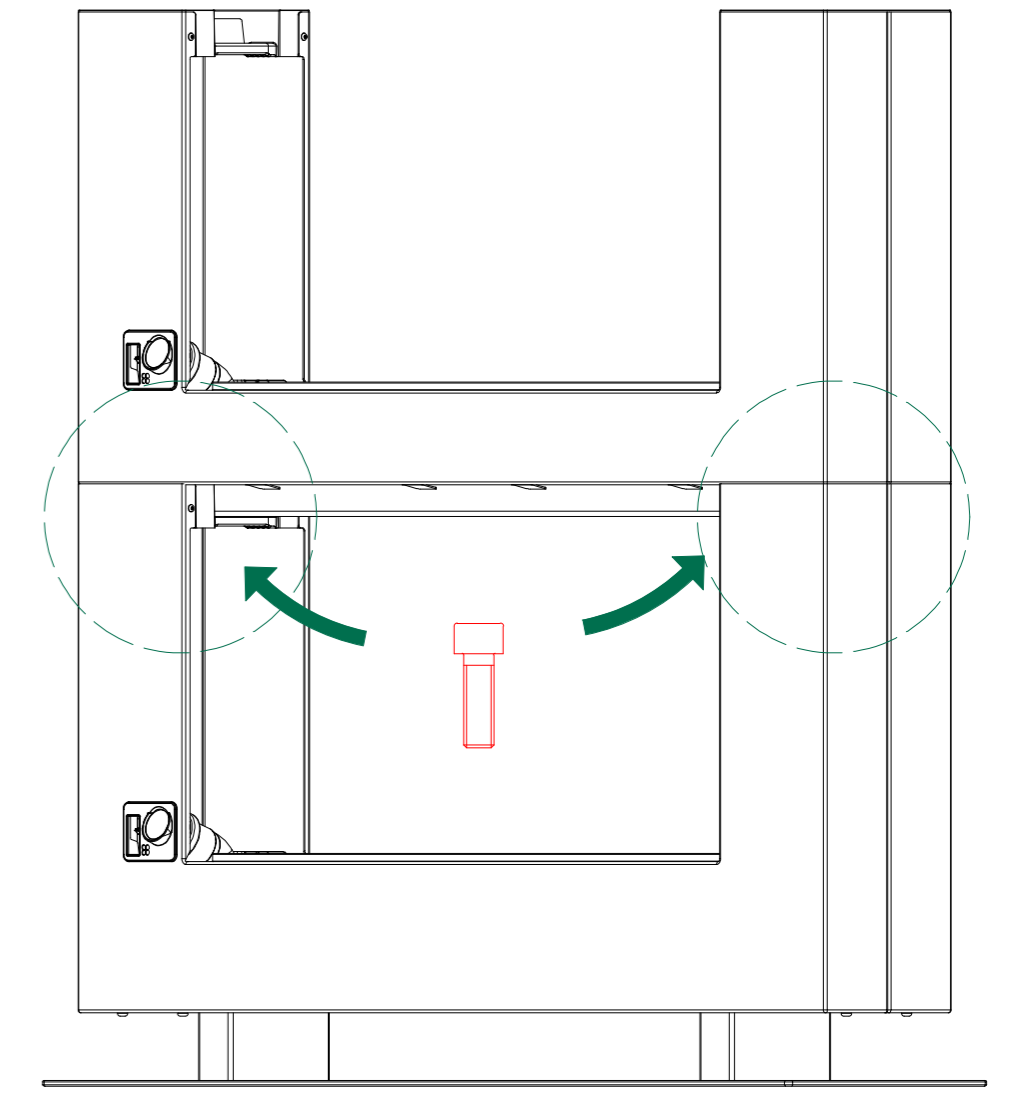
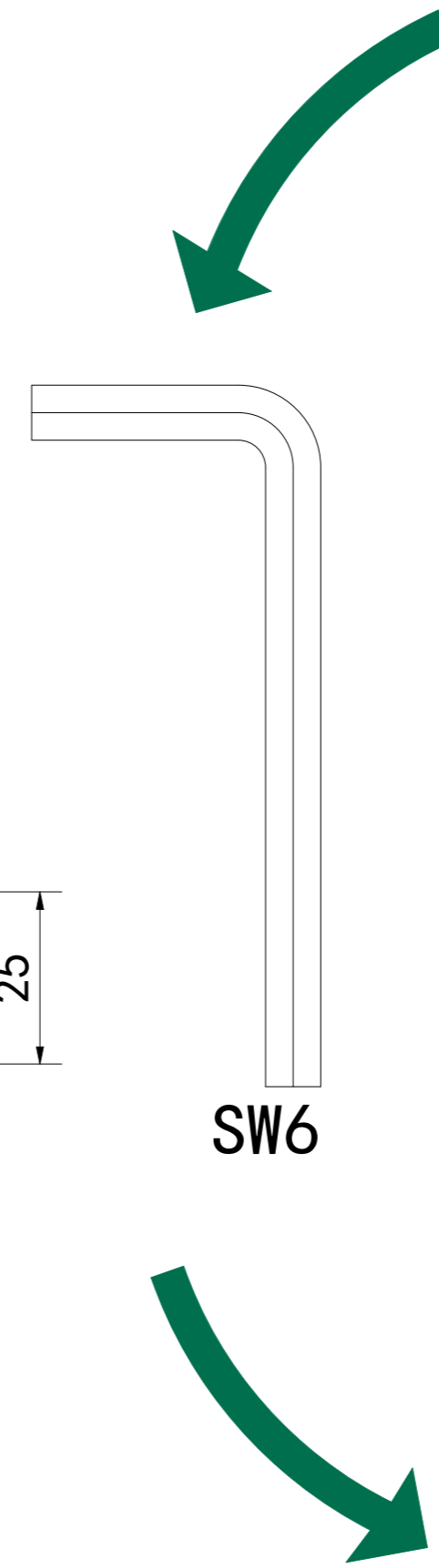
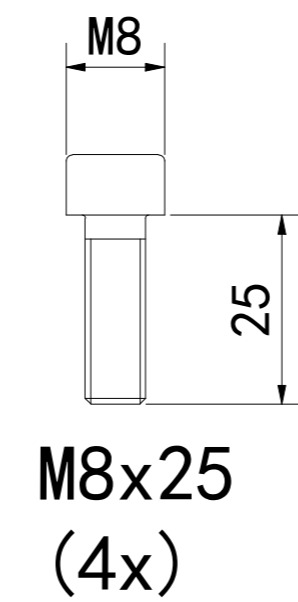
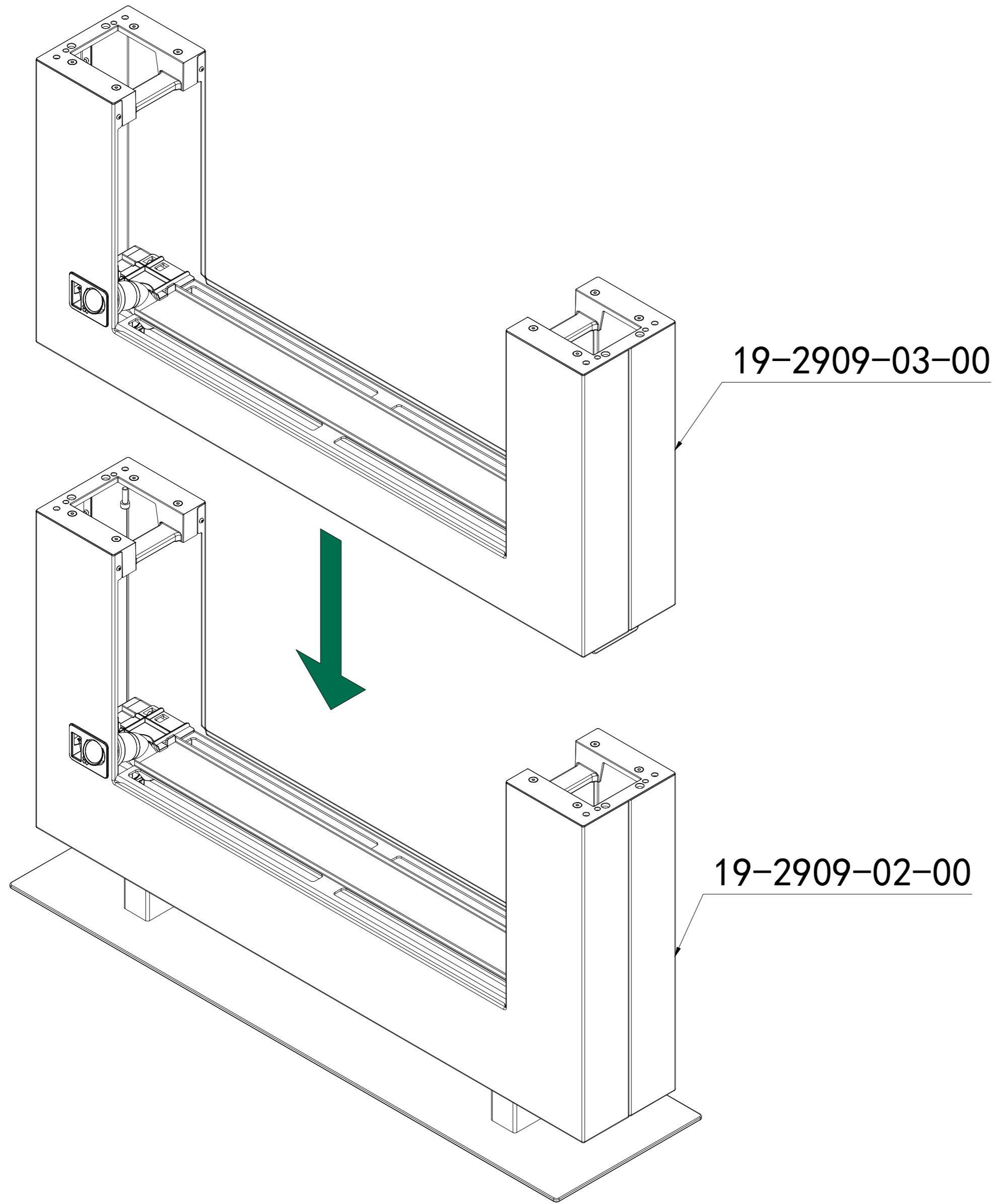
19-2909-02-00

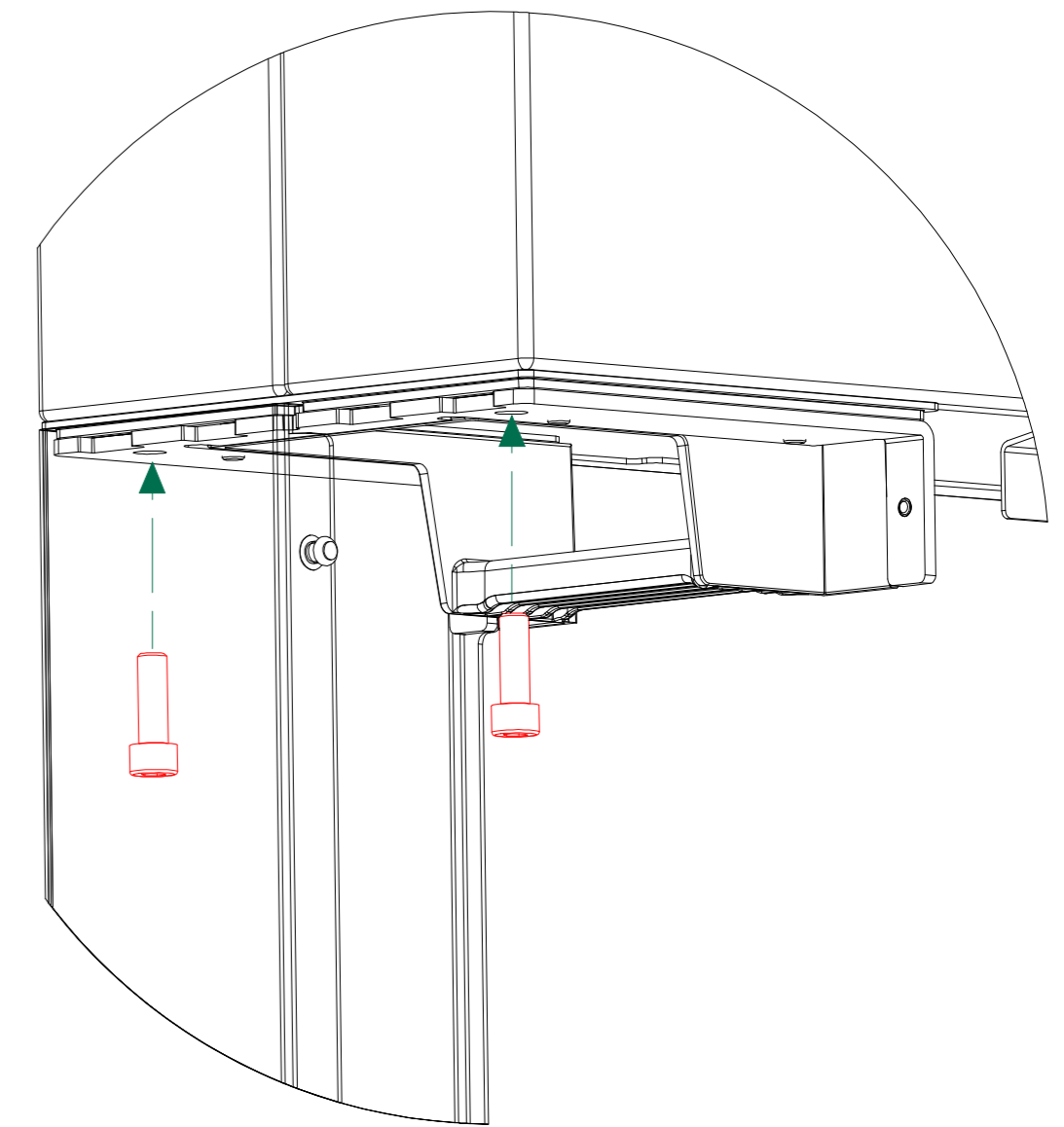
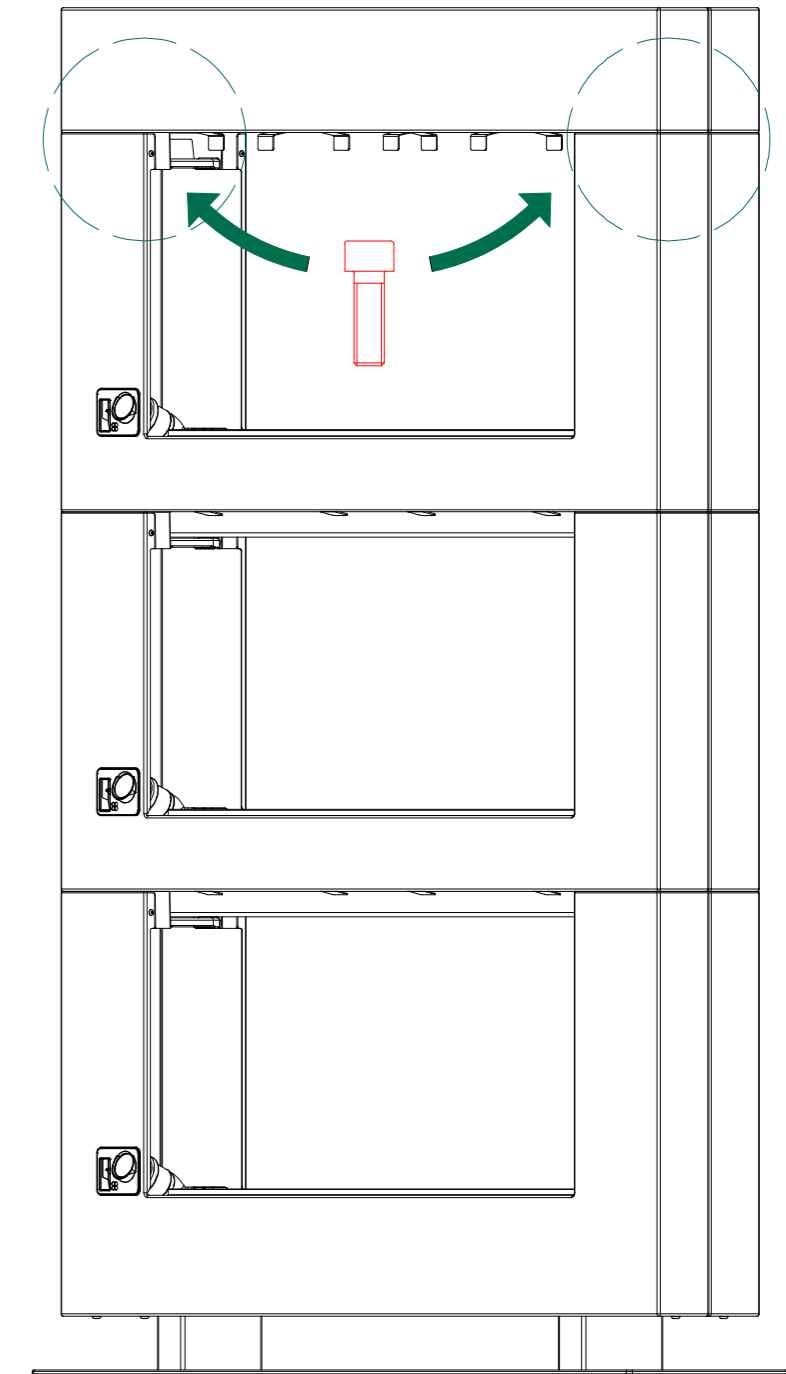
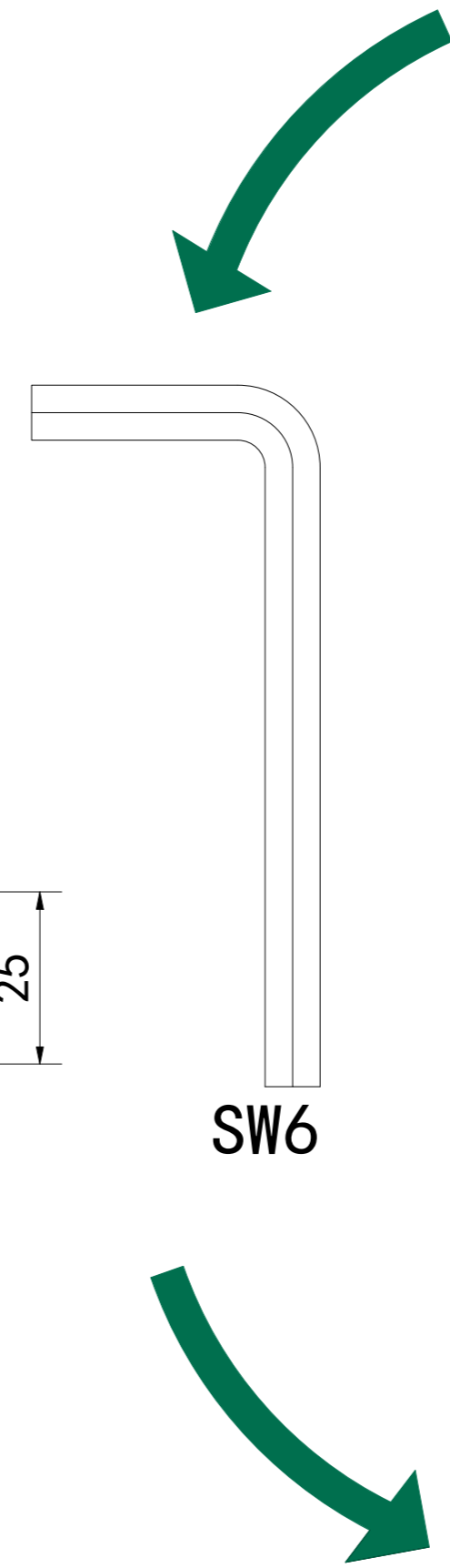
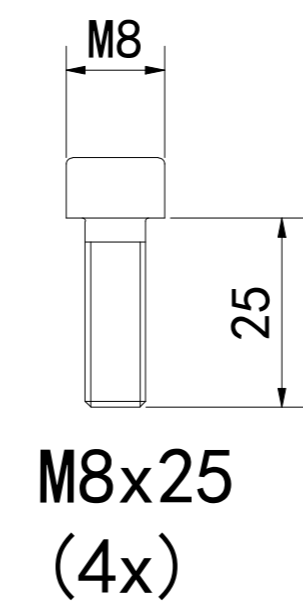
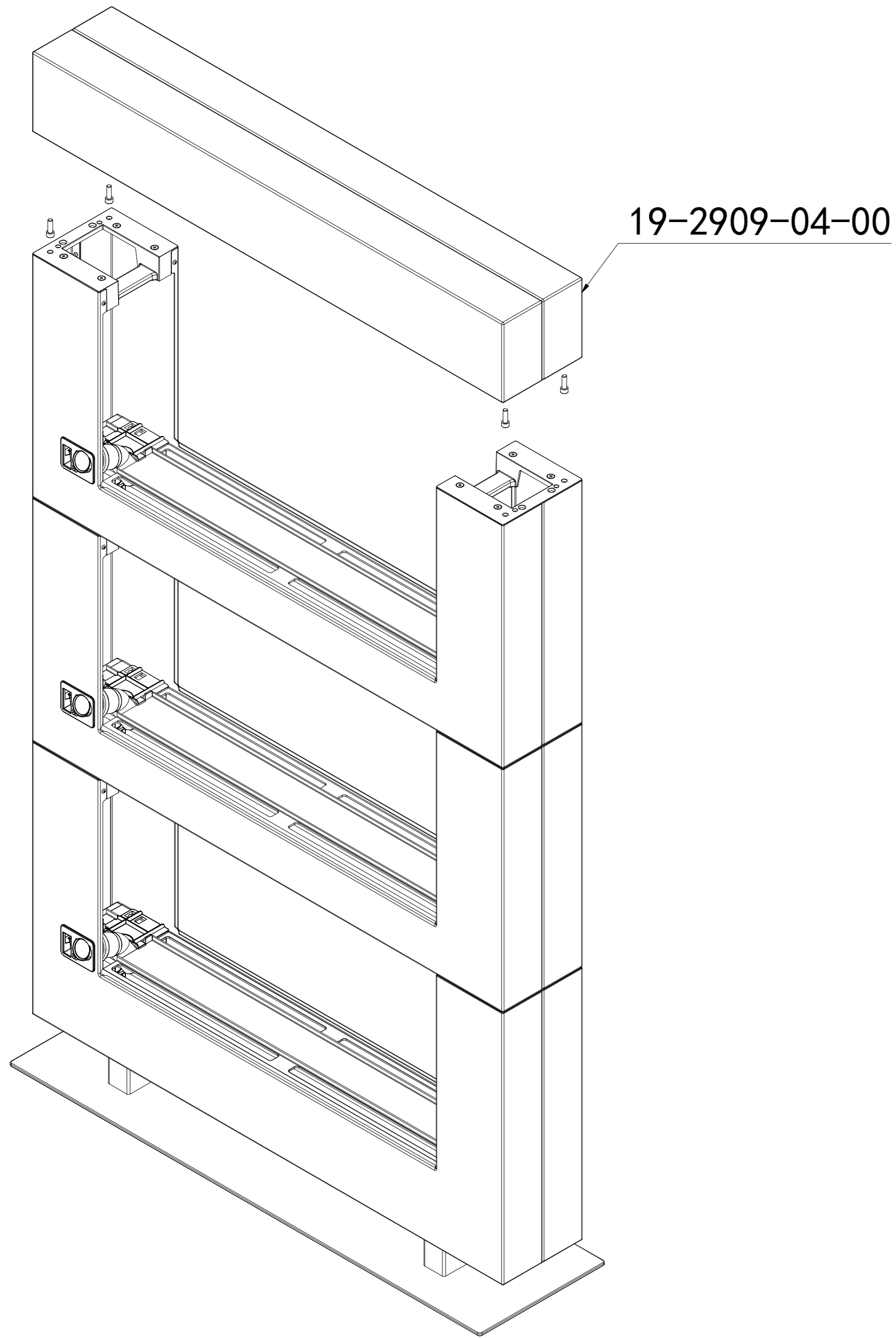


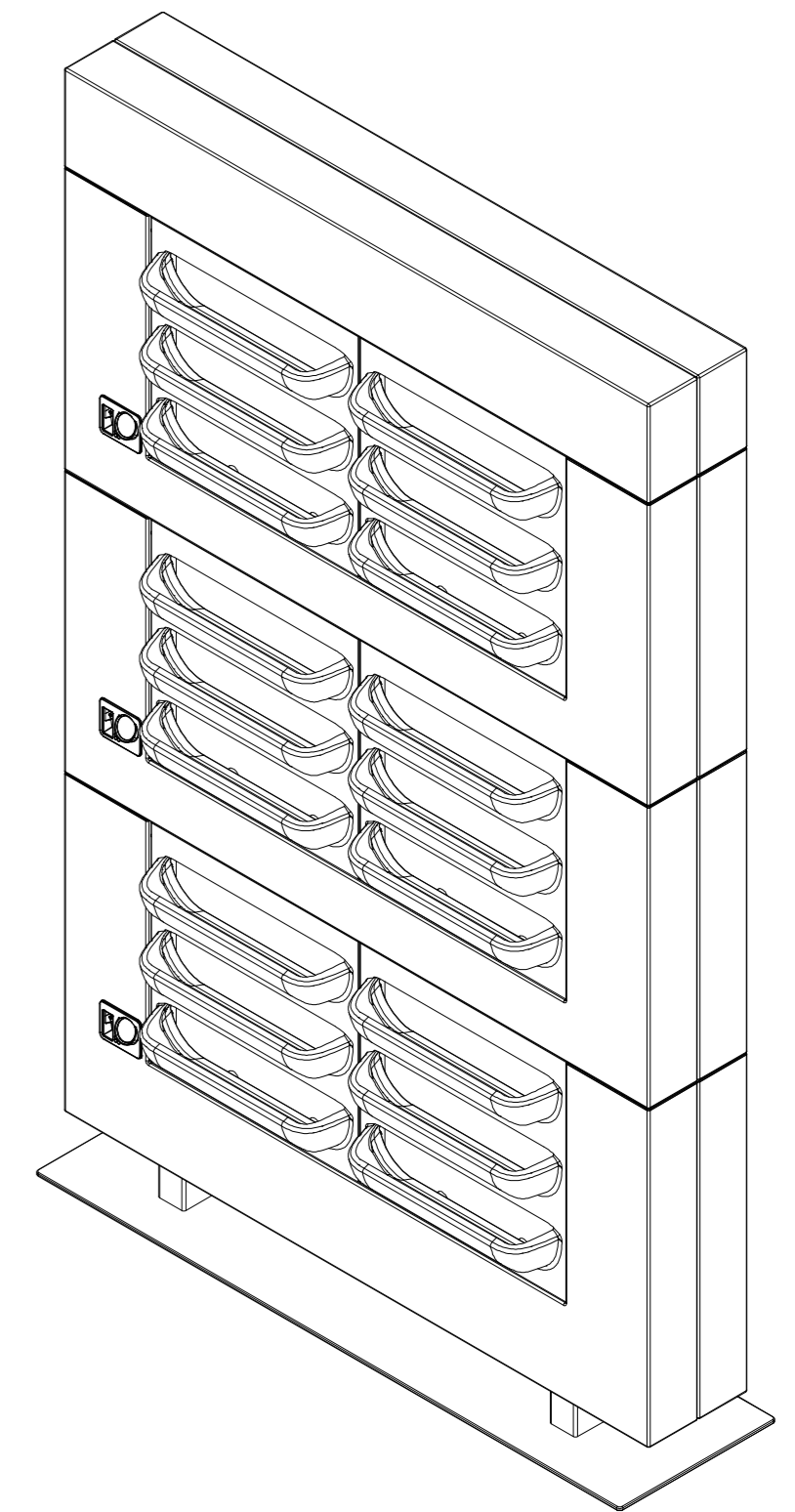
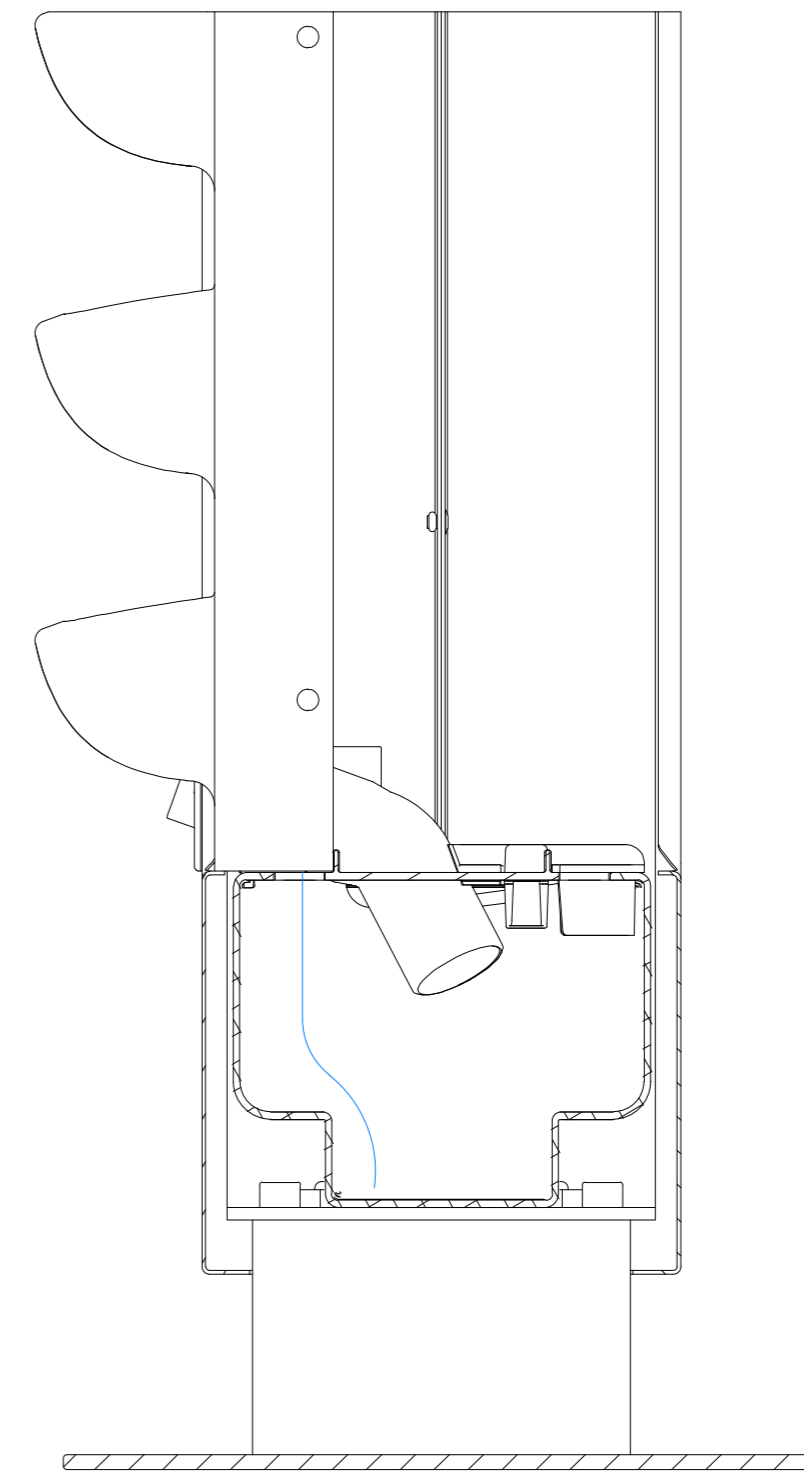
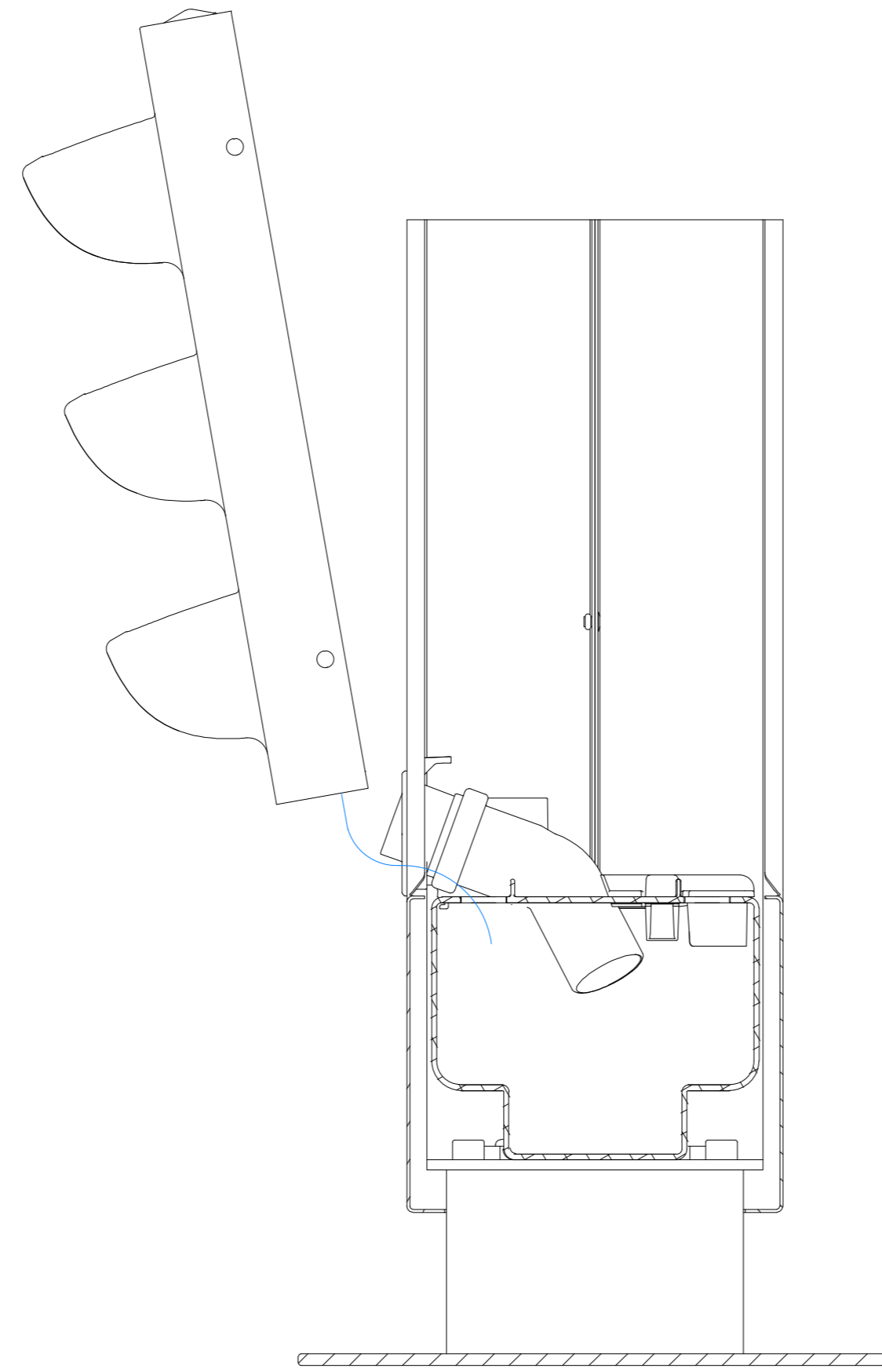
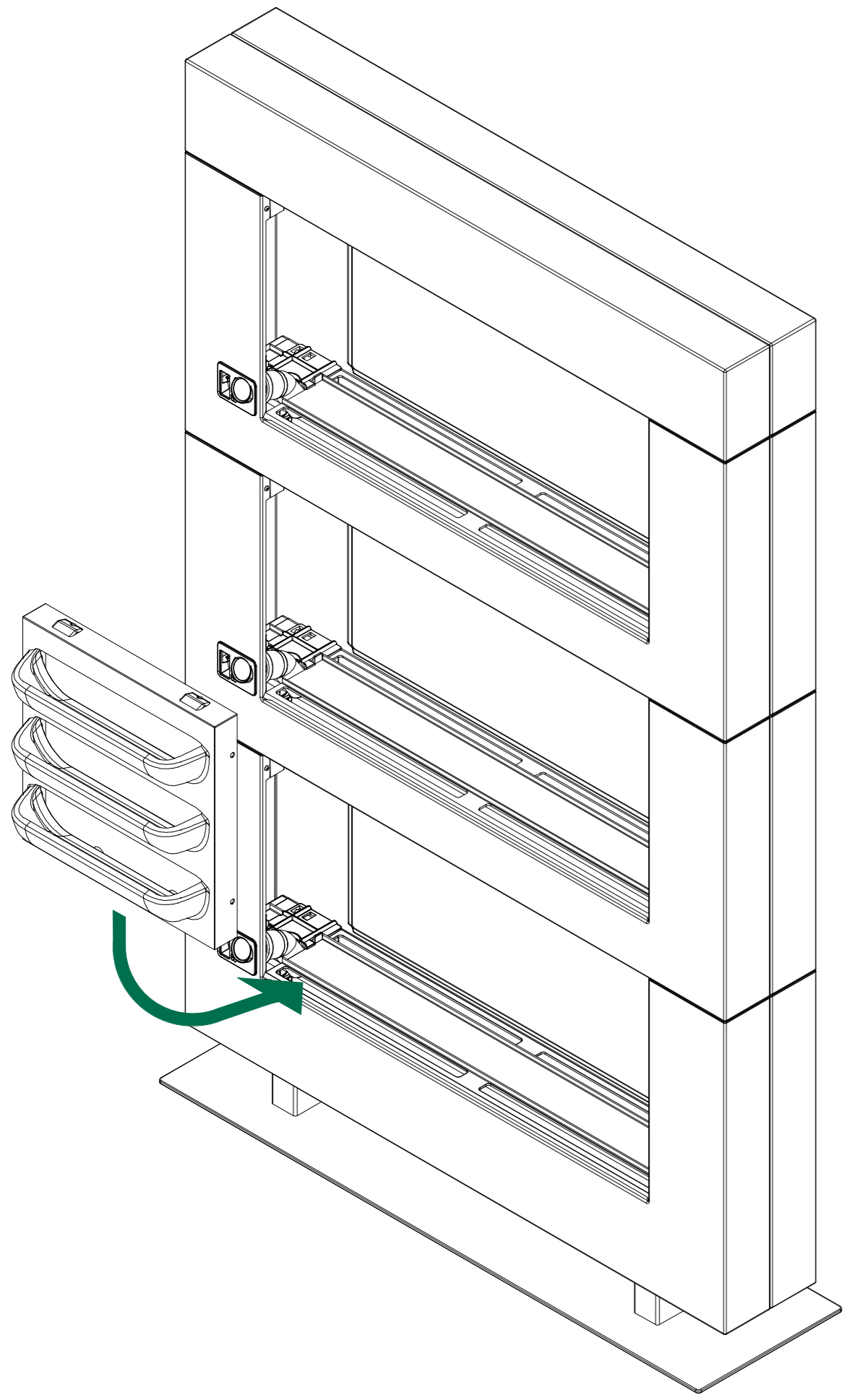
| Option: | Quantity: |
|----------|-----------|
| Option 1 | 0 x |
| Option 2 | 1 x |
| Option 3 | 2 x |

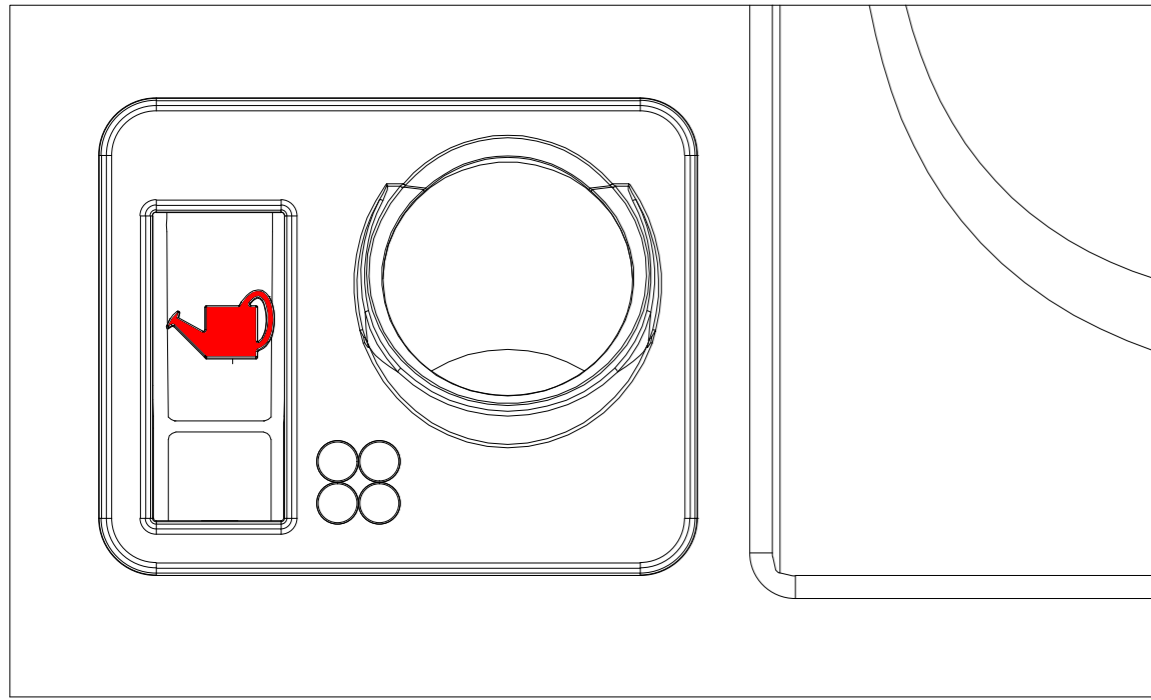


| Option: | Quantity: |
|----------|-----------|
| Option 1 | 0 x |
| Option 2 | 1 x |
| Option 3 | 2 x |

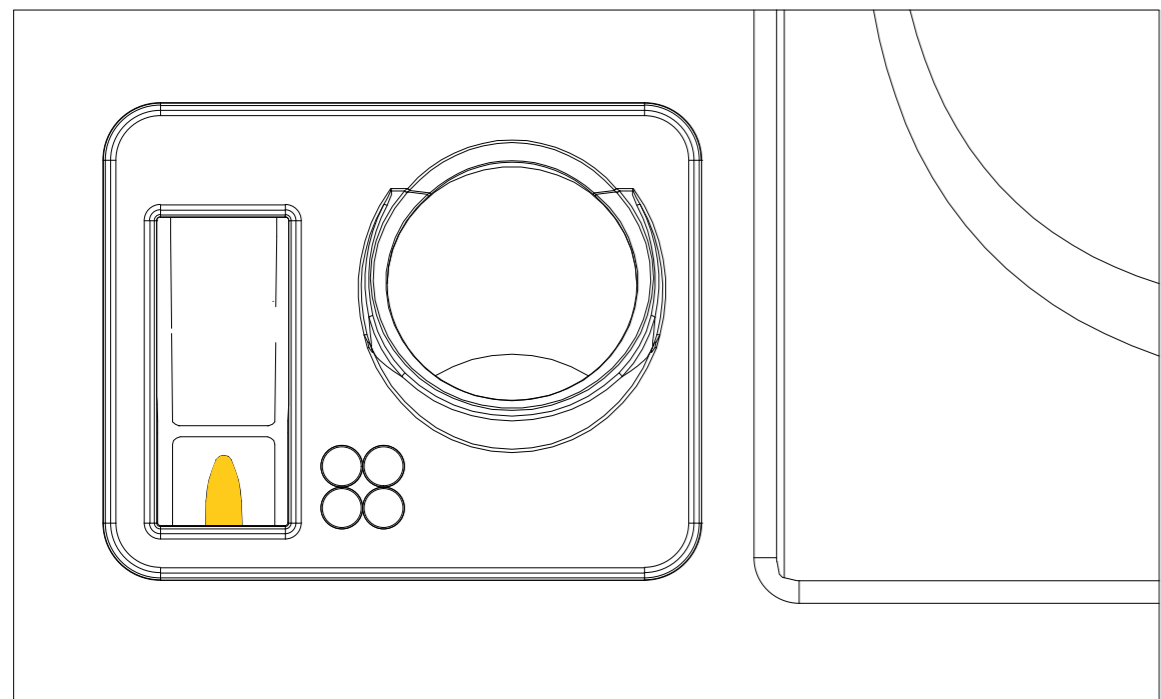








! = Fill



! = STOP

